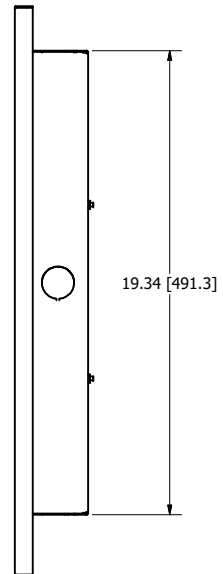
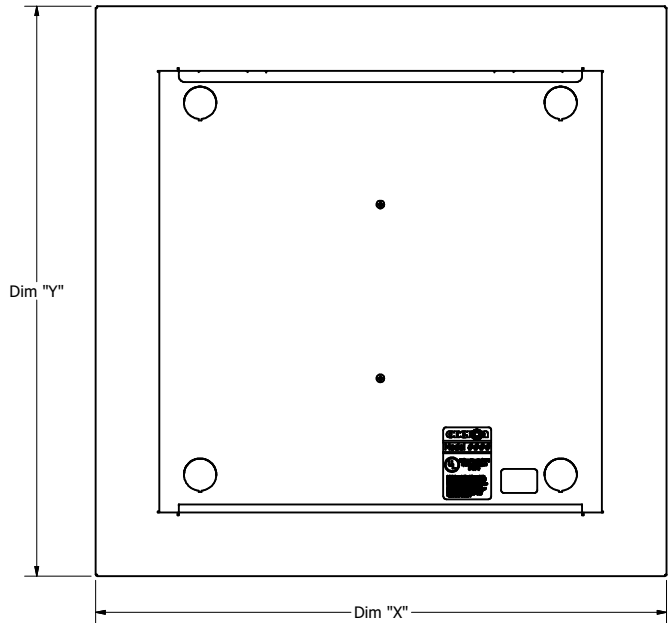
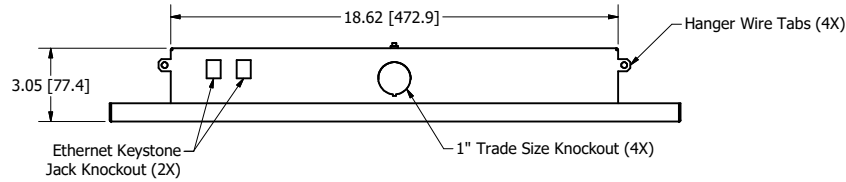
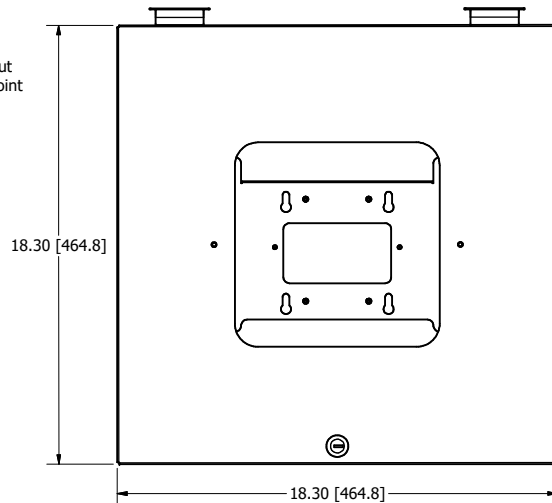


# ENCLOSURE BACKBOX



## DOOR

\*\*NOTE: Door Cutout Specific to Access Point



NOTE: All materials used in the construction of Oberon products must be RoHS compliant and meet RoHS2 Directive 2011/65/EU. Contact Oberon engineering if RoHS compliant materials are not available.

REVISION HISTORY				
ZONE	REV	DESCRIPTION	DATE	APPROVED
All	1	Released	5/25/2018	RLC
All	2	Updated Config. Table	7/10/2019	RLC
All	3	Updated Views, "Includes" List	12/9/2019	CAH
All	4	Updated Config. Table	12/19/2019	CAH
All	5	Updated Configuration Table, Notes	2/3/2020	CAH
All	6	Updated Configuration Table	2/19/2020	CAH
All	7	Updated Configuration Table, added "-LW" option	8/30/2021	RLC

FLANGE DIMENSIONS		
Flange Style	Dim X	Dim Y
1047-XXXX (U.S. Size)	23.75"	23.75"
1047-XXXX-T (U.S. Size)	23.75"	23.75"
1047-XXXX-600MM (Metric Size)	594 MM	594 MM

## NOTES:

### Standard Product

- Weight: 16 lbs. (7.3 kg.)
- Material: 20 Ga. Galvanized Steel Backbox  
18 Ga. White Powder Coated Steel Door  
18 Ga. White Powder Coated Steel Flange

### Light Weight Product ("-LW")

- Weight: 10.5 lbs. (4.8 kg.)
- Material: 16 Ga. Aluminum Backbox  
18 Ga. White Powder Coated Steel Door  
18 Ga. White Powder Coated Steel Flange

## Includes:

- (1) Enclosure and Interchangeable Door
- (1) Dual Cable Egress Firestop Grommet
- (1) 1 in. Trade Size Conduit Connector
- (4) Hanger Wires
- (2) Keys for Lock
- Access Point Attachment Hardware

UL Listed - File Number E348543  
OSHPD Approved - OPM-0110-13

DRAWN CAH	2/19/2020	Oberon, Inc. - 1315 S. Allen St. - State College, PA 16801		
CHECKED	2/19/2020	TITLE		
QA		Model 1047-XX		
MFG CAH	2/19/2020	SIZE C	DWG NO 1047-XX	REV 7
APPROVED CAH	2/19/2020	SCALE	SHEET 1 OF 2	
TOLERANCE:	.0 = +/- .030 .00 = +/- .015 .000 = +/- .005			

Please specify configuration when ordering:

1047 - \_\_\_\_\_ - \_\_\_\_\_ - \_\_\_\_\_ - \_\_\_\_\_ - \_\_\_\_\_

ENCLOSURE - AP DOOR - FLANGE STYLE - TILE SIZE - WEIGHT  
 STYLE (See Configurations) (-T for Tegular Flange, leave blank for lay-in) (-600MM for European metric ceiling grid, leave blank for 24" ceiling grid) (-LW Aluminum Back Box, otherwise leave blank)

Configuration Table

MODEL NUMBER	ENCLOSURE STYLE	AP DOOR	FLANGE STYLE	TILE SIZE	WEIGHT	ACCESS POINT	TO ORDER DOOR SEPARATELY - USE DOOR P/N ONLY
1047-ARAP315	1047	AP315				Aruba AP315	38-47-AP315
1047-ARAP325	1047	AP325				Aruba AP325	38-47-ARAP325
1047-ARAP335	1047	AP335				Aruba AP335 or AP345	38-47-ARAP335
1047-ARAP505	1047	ARAP505				Aruba AP505	38-47-ARAP505
1047-ARAP515	1047	ARAP515				Aruba AP515	38-47-ARAP515
1047-ARAP535	1047	ARAP535				Aruba AP535	38-47-ARAP535
1047-ARAP555	1047	ARAP555				Aruba AP555	38-47-ARAP555
1047-ARAP635	1047	ARAP635				Aruba AP635	38-47-ARAP635
1047-BLANK	1047	None				Used as a cover / AP not been defined	38-47-BLANK
1047-CCOAP	1047	CCOAP				Cisco 2700, 3700 Series APs	38-47-CCOAP
1047-CCOAP3800	1047	CCOAP3800				Cisco 2800, 3800 Series APs	38-47-CCOAP3800
1047-COAP4800	1047	COAP4800				Cisco 4800 Series APs	38-47-COAP4800
1047-COAP9115	1047	COAP9115				Cisco 9115 Series APs	38-47-COAP9115
1047-COAP9117	1047	COAP9117				Cisco 9117 Series APs	38-47-COAP9117
1047-COAP9120	1047	COAP9120				Cisco 9120 Series APs	38-47-COAP9120
1047-COAP9130	1047	COAP9130				Cisco 9130 Series APs	38-47-COAP9130
1047-EXT3935	1047	EXT3935				Extreme Networks AP 3935	38-47-EXT3935
1037-EXT510i	1047	EXT510i				Extreme Networks AP 510i	38-47-EXT510i
1047-FPDOME	1047	FPDOME				General Purpose, Works With Most APs	38-47-FPDOME
1047-LPDOME	1047	LPDOME				General Purpose, Works With Most APs	38-47-LPDOME
1047-MIST43	1047	MIST43				Mist AP 43	38-47-MIST43
1047-MR42	1047	MR42				Meraki MR42	38-47-MR42
1047-MR46	1047	MR46				Meraki MR46	38-47-MR46
1047-MR52	1047	MR52				Meraki MR52 or MR53	38-47-MR52
1047-MR56	1047	MR56				Meraki MR56	48-47-MR56
1047-ND	1047	ND				N/A (No Door Included)	ND

Examples:

1047-LPDOME Model 1047 with LPDOME door, flange to match flat lay-in tile, flange size for North American ceiling systems

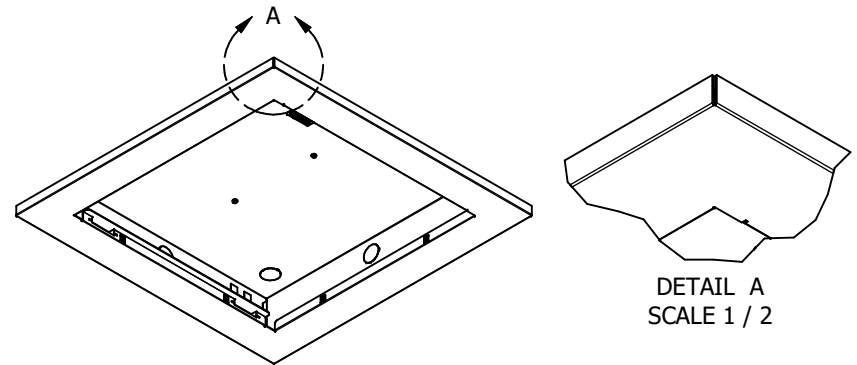
1047-LPDOME-T Model 1047 with LPDOME door, flange to match tegular ceiling tiles for recessed grid, flange size for North American ceiling systems

1047-COAP3800-600MM Model 1047 with door for Cisco 3800 Series AP, flange to match flat lay-in tile, European metric sized flange

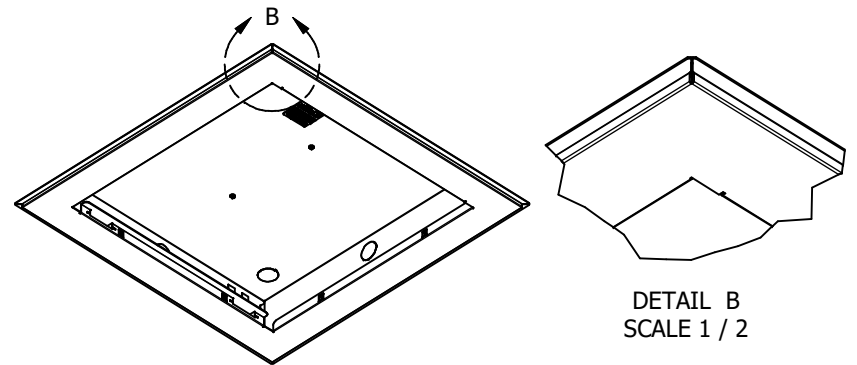
1047-ARAP335-T-600MM Model 1047 with door for Aruba AP335, flange to match tegular ceiling tiles for recessed grid, European metric sized flange

1047-COAP9120-LW Model 1047 with door for Cisco 9120 AP, flange to match flat lay-in tile, flange size for North American ceiling systems, with light-weight back-box

**STANDARD "LAY-IN" FLANGE STYLE**



**"-T" TEGULAR FLANGE STYLE  
(For Recessed Grid Ceilings)**



DRAWN	CAH	2/19/2020	Oberon, Inc. - 1315 S. Allen St. - State College, PA 16801		
CHECKED	CAH	2/19/2020	TITLE		
QA			Model 1047-XX		
MFG	CAH	2/19/2020	SIZE	DWG NO	REV
APPROVED	CAH	2/19/2020	C	1047-XX	7
TOLERANCE:		.0 = +/- .030 .00 = +/- .015 .000 = +/- .005	SCALE		SHEET 2 OF 2