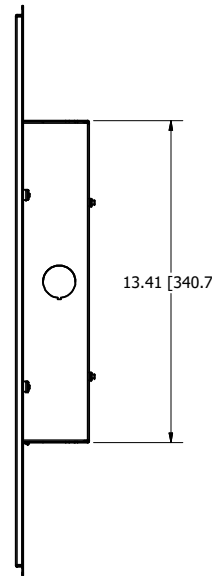
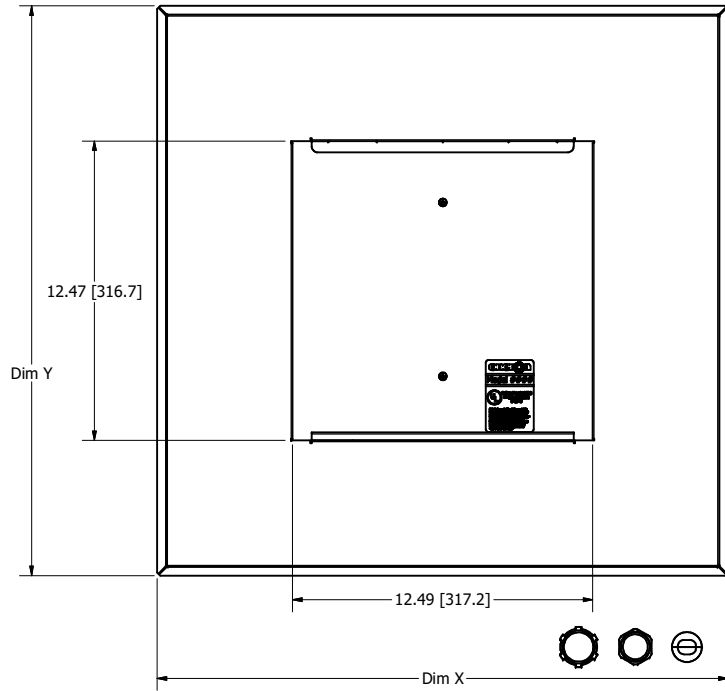
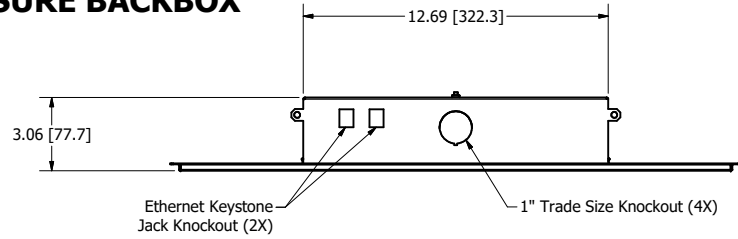


ENCLOSURE BACKBOX



FLANGE DIMENSIONS		
Flange Style	Dim X	Dim Y
1046-XXXX (U.S. Size)	23.75"	23.75"
1046-XXXX-T (U.S. Size)	23.75"	23.75"
1046-XXXX-600MM (Metric Size)	594 MM	594 MM

NOTES:

- Weight: 12 lbs.
- Material: 20 Ga. Galvanized Steel Backbox
18 Ga. White Powder Coated Steel Door
18 Ga. White Powder Coated Steel Flange

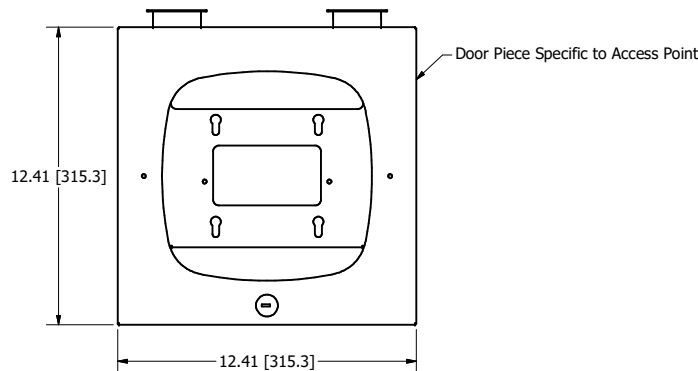
Includes:

- (1) Enclosure and Interchangeable Door
- (1) Dual Cable Egress Firestop Grommet
- (1) 1 in. Trade Size Conduit Connector
- (4) Hanger Wires
- (2) Keys for Lock
- Access Point Attachment Hardware

UL Listed - File Number E348543
OSHPD Approved - OPM-0110-13

DOOR

**NOTE: Door Cutout Specific to Access Point



NOTE: All materials used in the construction of Oberon products must be RoHS compliant and meet RoHS2 Directive 2011/65/EU. Contact Oberon engineering if RoHS compliant materials are not available.

REVISION HISTORY				
ZONE	REV	DESCRIPTION	DATE	APPROVED
All	1	Released	7/10/2019	DLV
All	2	Updated Views, P/N List	12/4/2019	CAH
All	3	Updated Config. Table, "Includes" List	12/19/2019	CAH
All	4	Updated Configuration Table, Notes	2/3/2020	CAH
All	5	Updated Configuration Table	2/19/2020	CAH
All	6	Updated Configuration Table	2/24/2020	CAH

DRAWN	2/24/2020	Oberon, Inc. - 1315 S. Allen St. - State College, PA 16801		
CHECKED	2/24/2020	TITLE		
CAH		Model 1046-XX		
QA				
MFG	2/24/2020	SIZE	DWG NO	REV
CAH		C	1046-XX	6
APPROVED	2/24/2020	SCALE	SHEET 1 OF 2	
CAH				
TOLERANCE:	.0 = +/- .030 .00 = +/- .015 .000 = +/- .005			

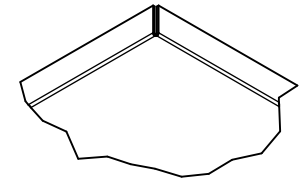
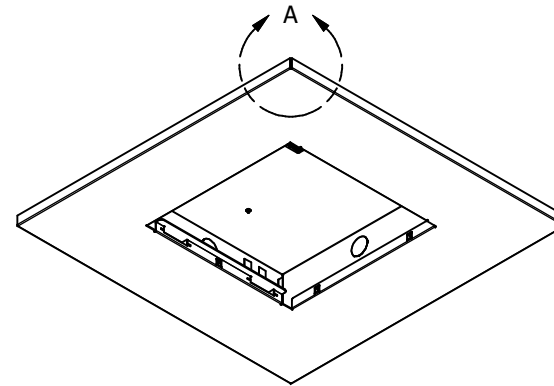
Please specify configuration when ordering:

1046 - _____ - _____ - _____
 ENCLOSURE STYLE - AP DOOR - FLANGE STYLE - TILE SIZE
 (See Configurations) (-T for Tegular Flange, leave blank for lay-in) (-600MM for European metric ceiling grid, leave blank for 24" ceiling grid)

Configuration Table

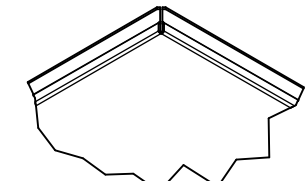
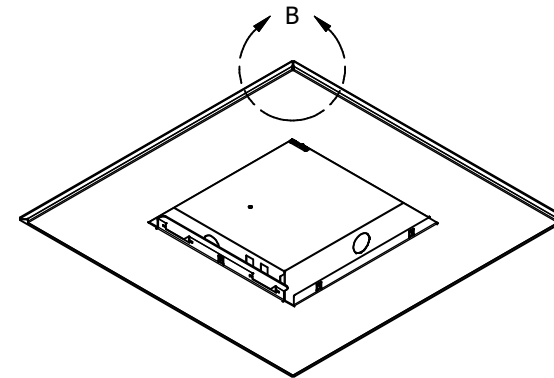
MODEL NUMBER	ENCLOSURE STYLE	AP DOOR	FLANGE STYLE	TILE SIZE	ACCESS POINT	TO ORDER DOOR SEPARATELY - USE DOOR P/N ONLY
1046-AP205	1046	AP205			Aruba AP205	38-46-AP205
1046-AP205-T	1046	AP205	Tegular (T)		Aruba AP205	38-46-AP205
1046-AP205-600MM	1046	AP205		600 MM	Aruba AP205	38-46-AP205
1046-AP205-T-600MM	1046	AP205	Tegular (T)	600 MM	Aruba AP205	38-46-AP205
1046-AP215	1046	AP215			Aruba AP215	38-46-AP215
1046-AP225	1046	AP225			Aruba AP225	38-46-AP225
1046-AP305	1046	AP305			Aruba AP305	38-46-AP305
1046-AP315	1046	AP315			Aruba AP315	38-46-AP315
1046-AP325	1046	AP325			Aruba AP325	38-46-AP325
1046-AP335	1046	AP335			Aruba AP335 or AP345	38-46-AP335
1046-ARAP505	1046	ARAP505			Aruba AP505	38-46-ARAP505
1046-ARAP515	1046	ARAP515			Aruba AP515	38-46-ARAP515
1046-ARAP535	1046	ARAP535			Aruba AP535	38-46-ARAP535
1046-CCOAP	1046	CCOAP			Cisco 2700, 3700 Series	38-46-CCOAP
1046-CCOAP3800	1046	CCOAP3800			Cisco 2800, 3800 Series	38-46-CCOAP3800
1046-COAP4800	1046	COAP4800			Cisco 4800 Series	38-46-COAP4800
1046-COAP9115	1046	COAP9115			Cisco 9115 Series	38-46-COAP9115
1046-COAP9117	1046	COAP9117			Cisco 9117 Series	38-46-COAP9117
1046-COAP9120	1046	COAP9120			Cisco 9120 Series	38-46-COAP9120
1046-EXT3935	1046	EXT3935			Extreme Networks 3935	38-46-EXT3935
1046-MR42	1046	MR42			Meraki MR42	38-46-MR42
1046-ND	1046	ND			N/A (No Door Included)	ND

STANDARD "LAY-IN" FLANGE STYLE



DETAIL A
SCALE 1/2

**"-T" TEGULAR FLANGE STYLE
(For Recessed Grid Ceilings)**



DETAIL B
SCALE 1/2

DRAWN CAH	2/24/2020	Oberon, Inc. - 1315 S. Allen St. - State College, PA 16801		
CHECKED CAH	2/24/2020	TITLE		
QA		Model 1046-XX		
MFG CAH	2/24/2020	SIZE C	DWG NO 1046-XX	REV 6
APPROVED CAH	2/24/2020	SCALE	SHEET 2 OF 2	
TOLERANCE:	.0 = +/- .030 .00 = +/- .015 .000 = +/- .005			