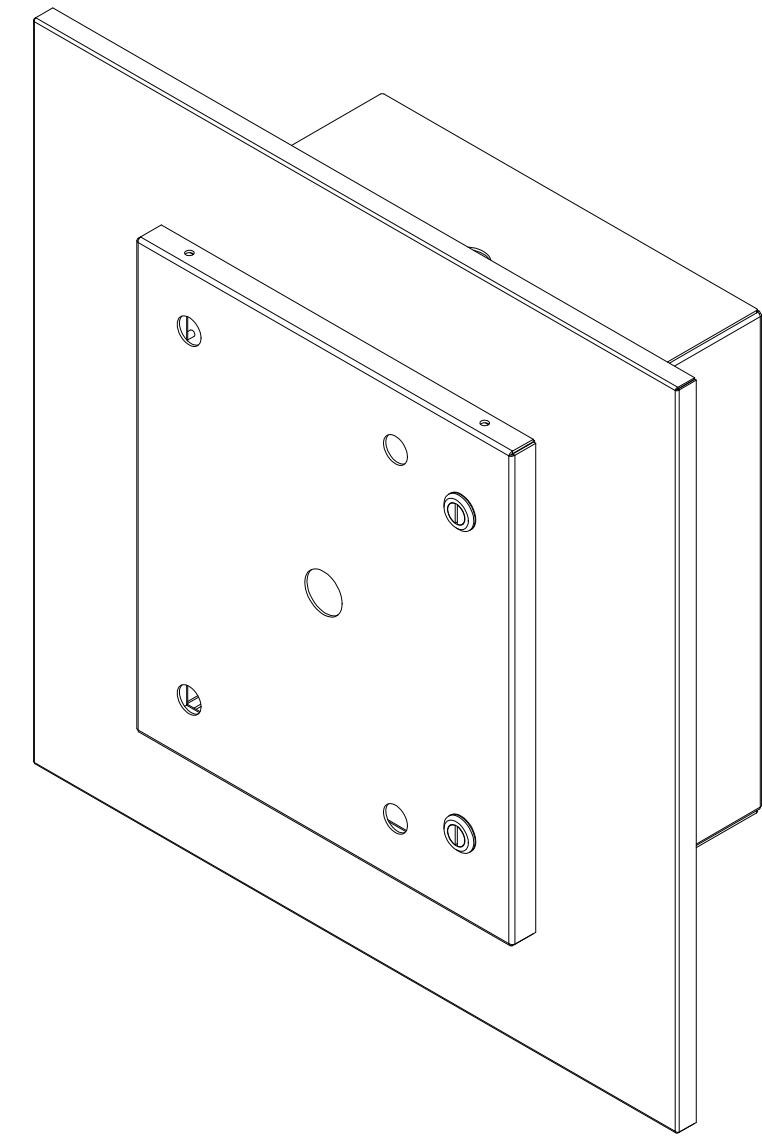
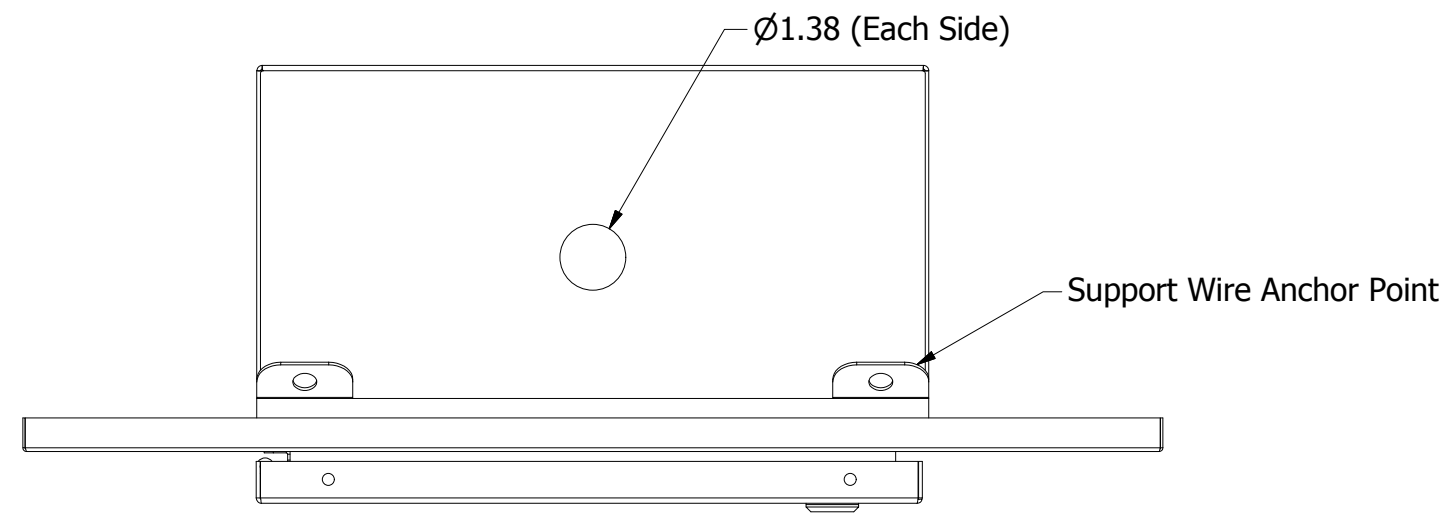


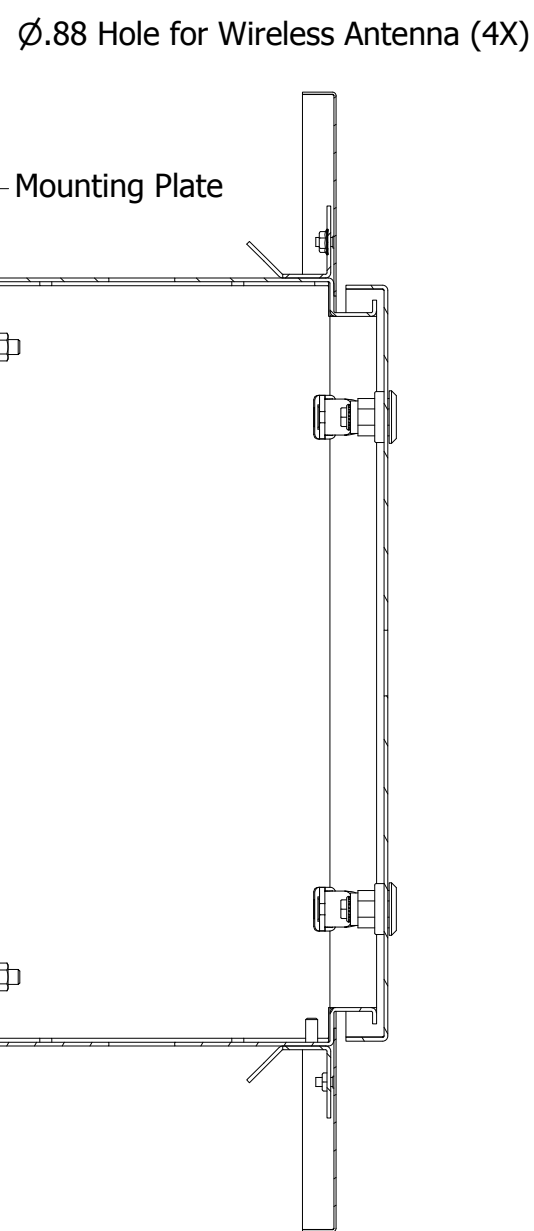
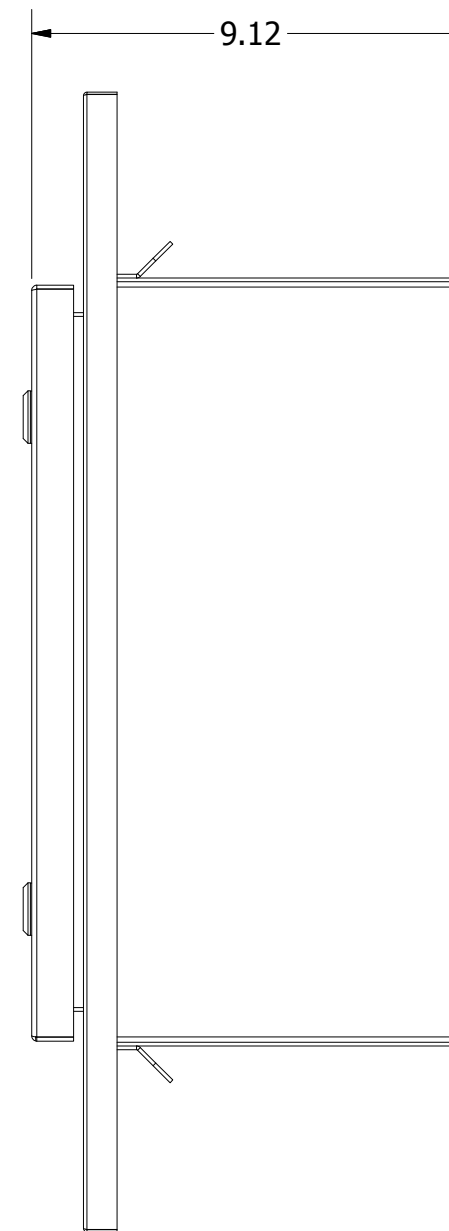
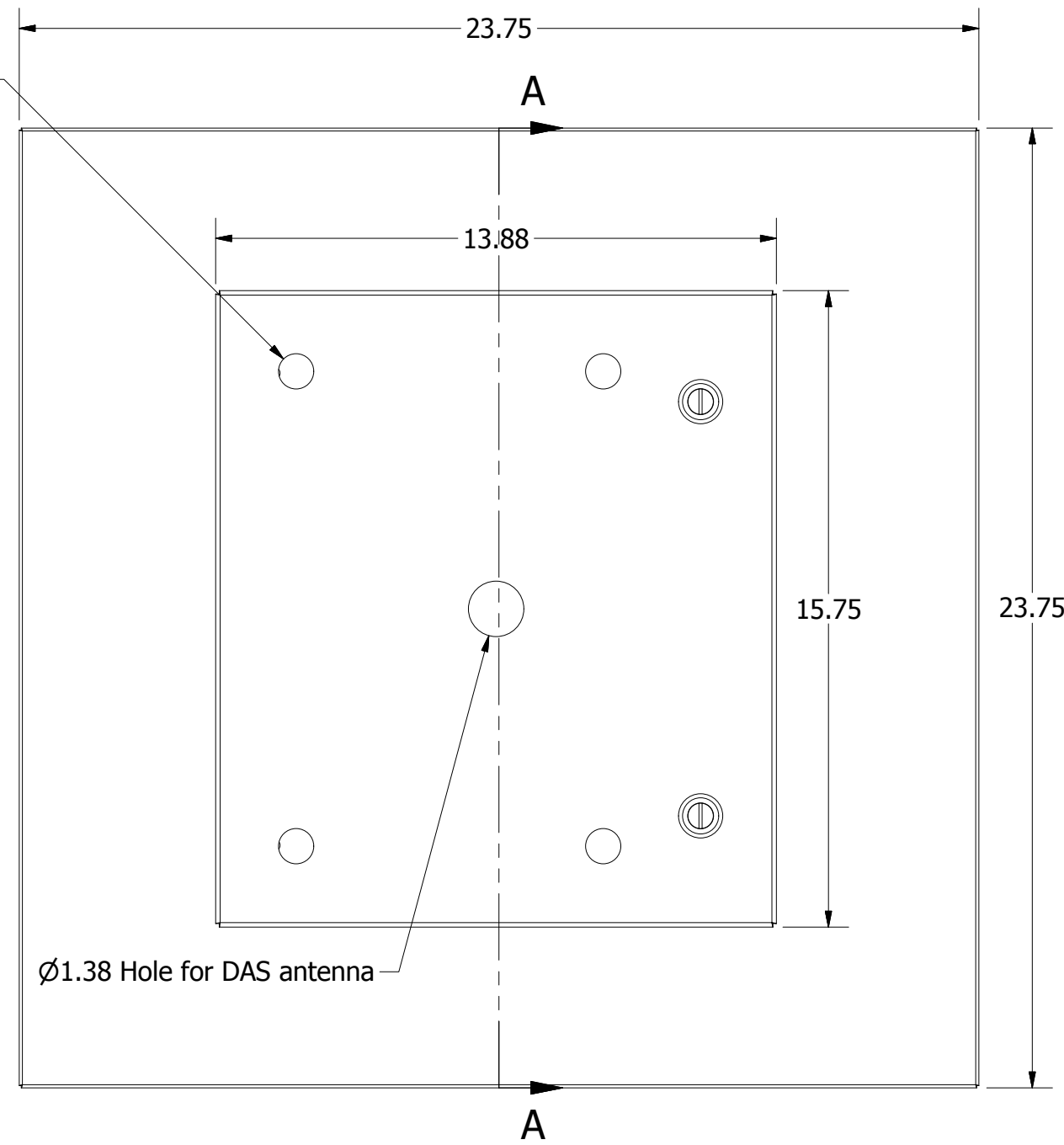
REVISION HISTORY				
ZONE	REV	DESCRIPTION	DATE	APPROVED
All	1	Released	4/3/2014	EAS



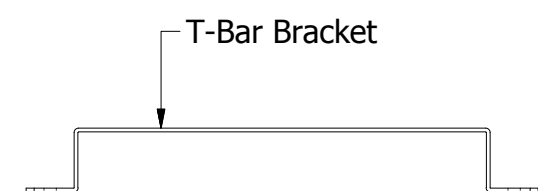
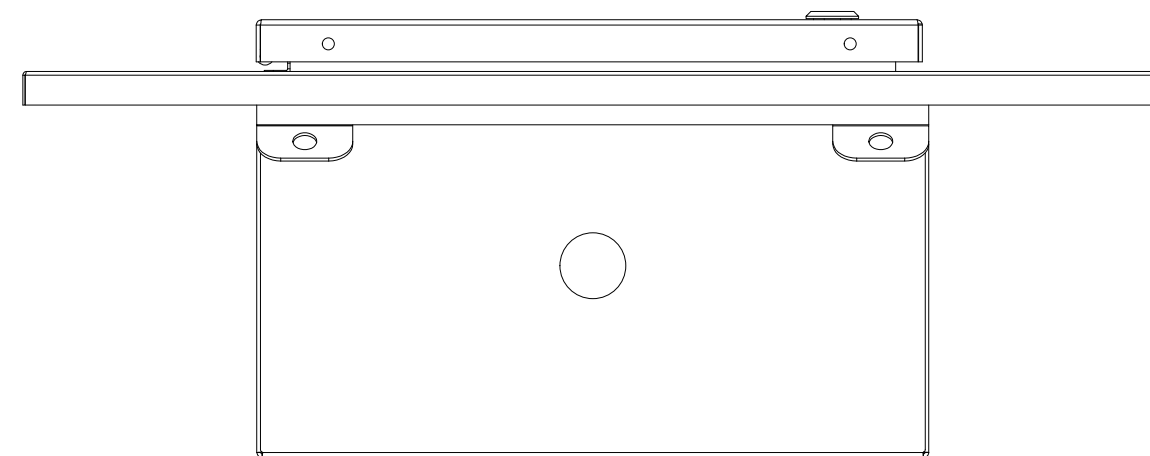
ISOMETRIC VIEW

NOTES:

- NEMA 1, 2, 4, 12k and IP65
- RoHS Compliant
- Weight: 18 lbs.
- Material:
- 12 Ga. White Powder Coated Aluminum Backbox
- 12 Ga. White Powder Coated Aluminum Door
- 18 Ga. White Powder Coated Steel Flange
- Includes:
- (1) Mounting Plate and T-bar Bracket
- (4) No. 8 Screws
- (4) 1/2" Trade Size Hole Plugs
- (3) 3/4" Trade Size Hole Plugs
- (8) Support Wire



SECTION A-A  
SCALE 1 / 4



DRAWN EAS	4/3/2014	Oberon, Inc. - 1315 S. Allen St. - State College, PA 16801		
CHECKED EAS	4/3/2014	TITLE		
QA		Model 1028-08-ANT5-F		
MFG EAS	4/3/2014	SIZE C	DWG NO 2048	REV 1
APPROVED EAS	4/3/2014	SCALE	SHEET 1 OF 1	
TOLERANCE:	.0 = +/- .030 .00 = +/- .015 .000 = +/- .005			