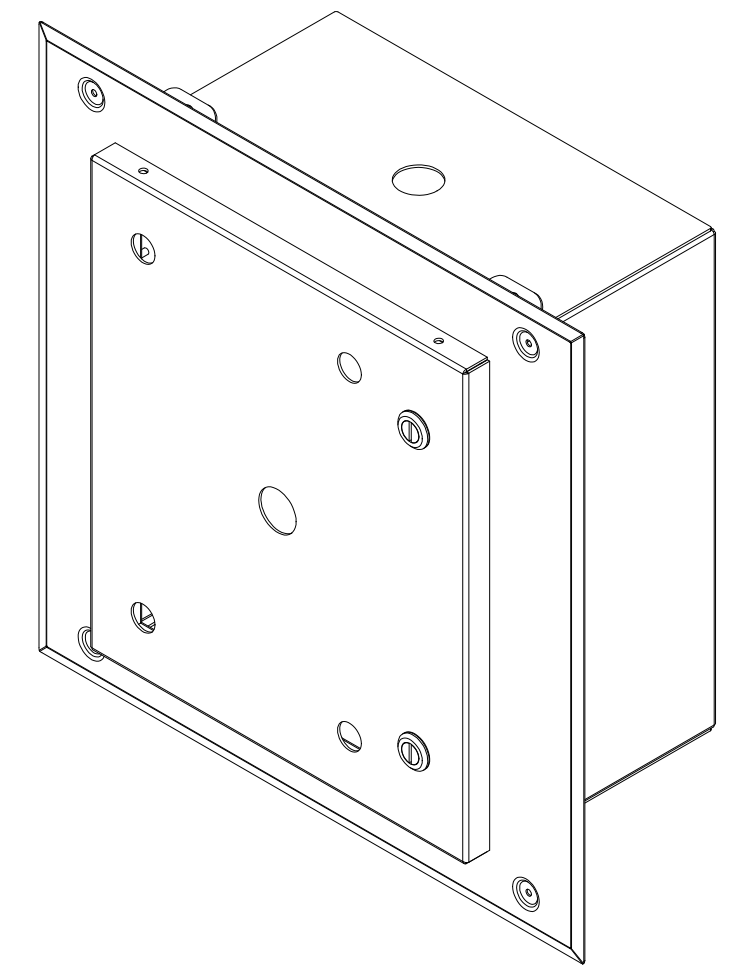
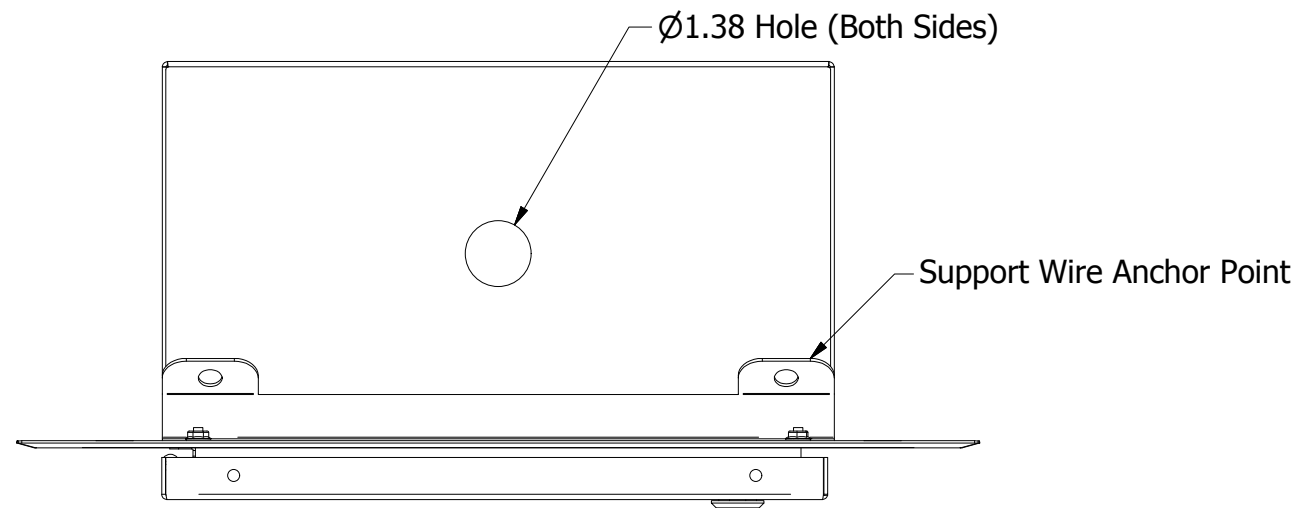


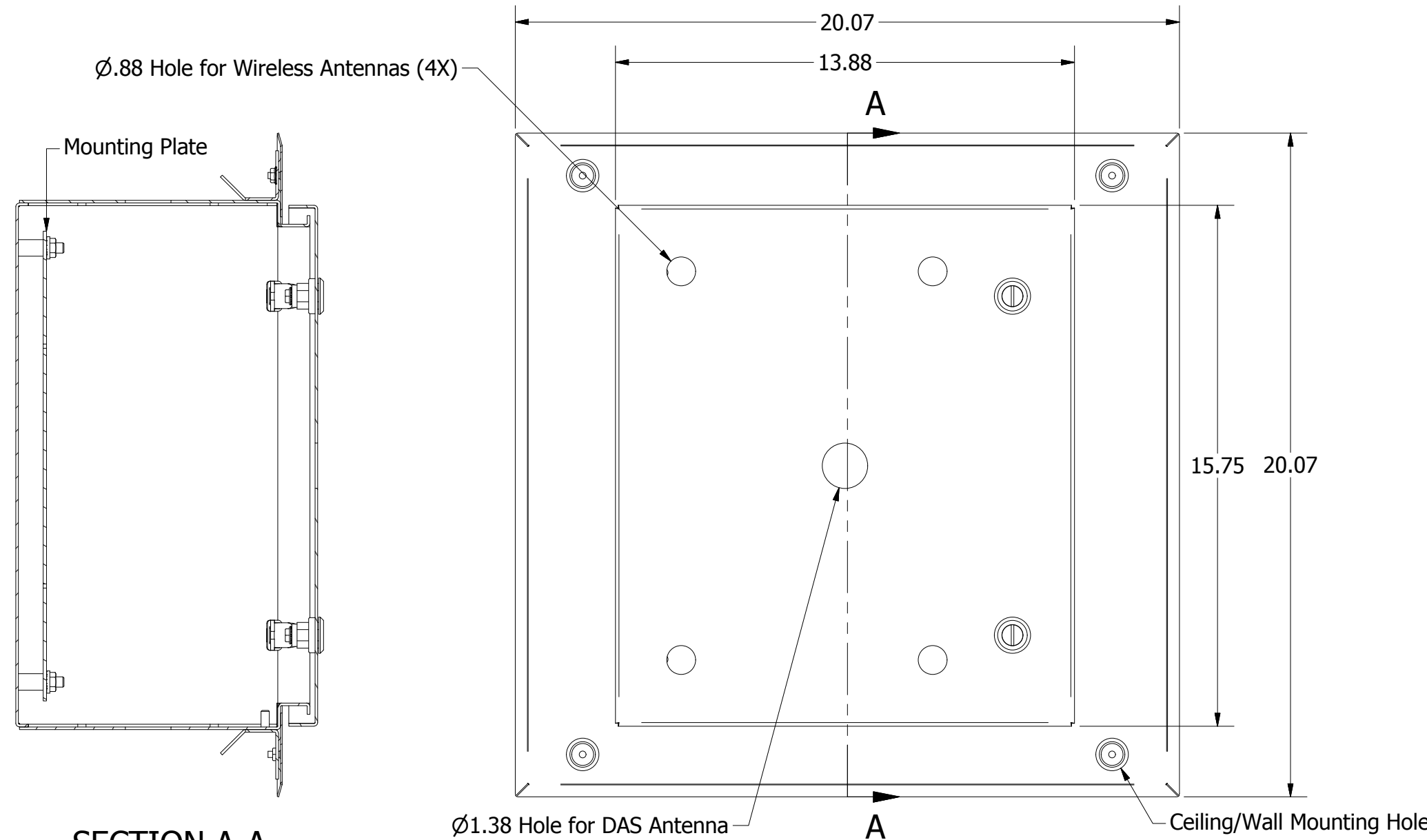
REVISION HISTORY				
ZONE	REV	DESCRIPTION	DATE	APPROVED
All	1	Released	12/31/2014	EAS



ISOMETRIC VIEW

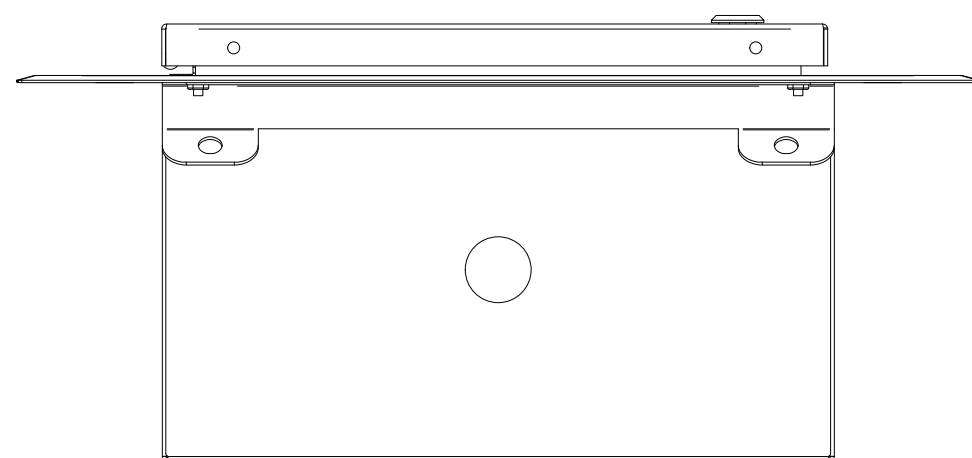
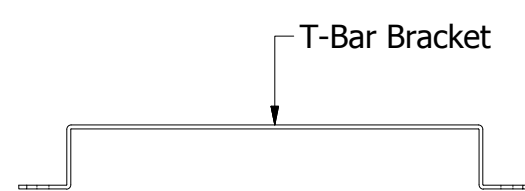
D
C
B
A

D
C
B
A



- NOTES:
- NEMA 1, 2, 4, 12k and IP65
 - RoHS Compliant
 - Weight: 15 lbs.
 - Material:
 - 12 Ga. White Powder Coated Aluminum Backbox
 - 12 Ga. White Powder Coated Aluminum Door
 - 18 Ga. White Powder Coated Steel Flange
 - Includes:
 - (1) Mounting Plate and T-bar Bracket
 - (4) No. 8 Screws
 - (4) Screw Caps
 - (4) 1/2" Trade Size Hole Plugs
 - (3) 3/4" Trade Size Hole Plugs
 - (8) Support Wire

SECTION A-A
SCALE 1 / 4



DRAWN EAS	12/31/2014	Oberon, Inc. - 1315 S. Allen St. - State College, PA 16801		
CHECKED EAS	12/31/2014	TITLE		
QA		Model 1028-08-ANT5-B		
MFG EAS	12/31/2014	SIZE C	DWG NO 2108	REV 1
APPROVED EAS	12/31/2014	SCALE	SHEET 1 OF 1	
TOLERANCE:				
.0 = +/- .030				
.00 = +/- .015				
.000 = +/- .005				

4

3

2

1