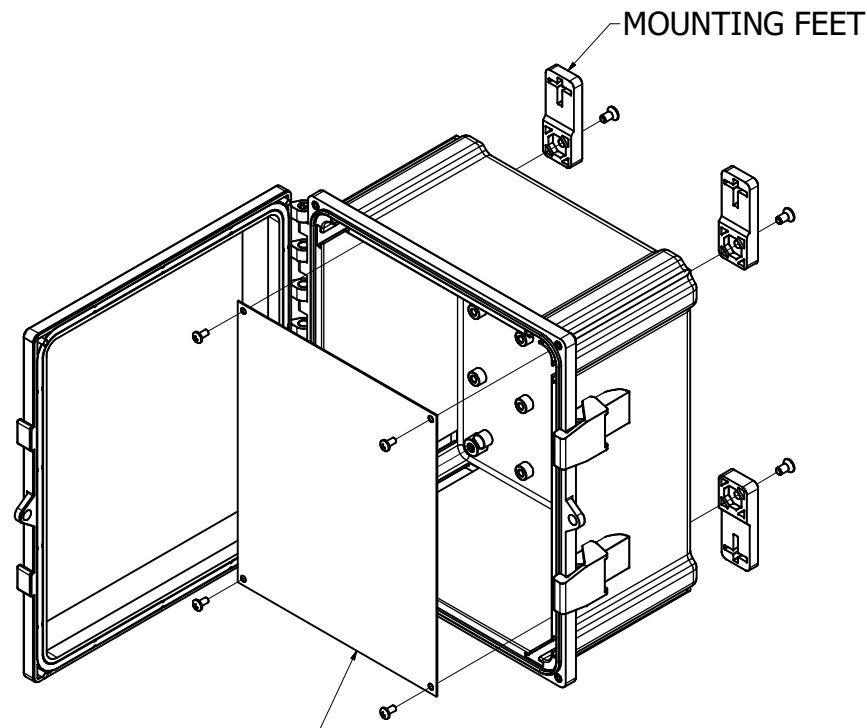


REVISION HISTORY				
ZONE	REV	DESCRIPTION	DATE	APPROVED
All	1	Released	1/11/2012	MDA
All	2	Added ABS Mounting Plate	12/4/2014	EAS
All	3	Added size chart and includes list	4/20/2016	EAS
All	4	Updated Notes, "Includes" List, and Configuration Table; Changed Title to "Model 1026-XX"	7/31/2020	CAH
All	5	Updated Notes	9/23/2020	CAH
All	6	Updated Configuration Table	6/8/2021	CAH
All	7	Updated "Includes" List	7/22/2021	CAH
All	8	Updated "Includes" List; Added Exploded View	7/27/2021	CAH
All	9	Updated "Includes" List	8/3/2021	CAH



NOTES:

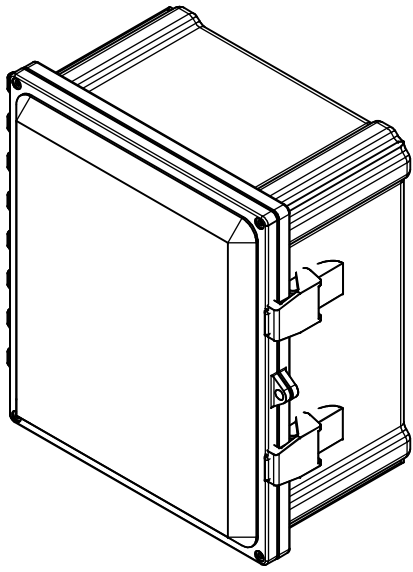
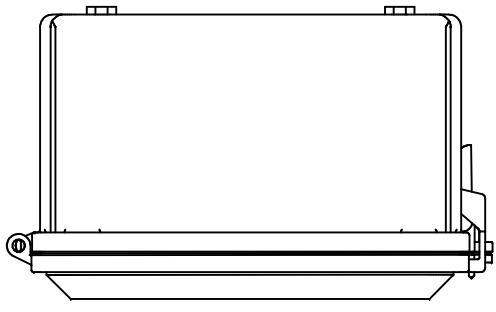
- Material: UL94-5VA Light Gray Polycarbonate Plastic Enclosure Base
- UL94-5VA Light Gray Polycarbonate Plastic Enclosure Door (For -00 SKUs Only)
- UL94-V0 Tinted Clear Polycarbonate Plastic Enclosure Door (For -C SKUs Only)
- UL94-5VA Black ABS Plastic Universal Mounting Panel
- UL94-5VA Light Gray Polycarbonate Plastic Mounting Feet

Includes:

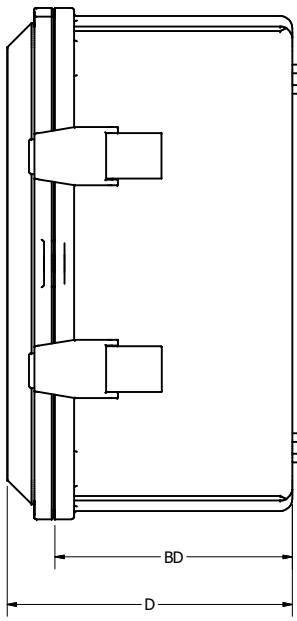
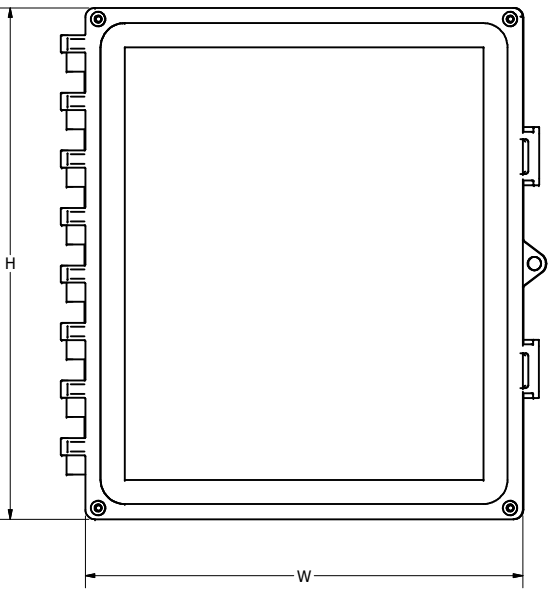
- (1) Enclosure
- (1) Universal Mounting Panel
- (4) Mounting Feet (For All SKUs Except -242410)
- (4) 1/4"-20 x 1/2 in. Mounting Feet Screws (For All SKUs Except -242410)
- (4) #10 x 3/8 in. Mounting Panel Screws
- (4) #10 x 5/8 in. Lid Screws
- (4) #10 Washers
- (4) #8-32 Machine Screws

UNIVERSAL MOUNTING PANEL

DRAWN	CAH	8/3/2021	Oberon, Inc. - 1315 S. Allen St. - State College, PA 16801	
CHECKED	CAH	8/3/2021	TITLE	
QA			Model 1026-XX	
MFG	CAH	8/3/2021	SIZE	DWG NO
APPROVED	CAH	8/3/2021	C	1026-XX
TOLERANCE:		.0 = +/- .030	SCALE	REV
		.00 = +/- .015		9
		.000 = +/- .005		
			SHEET 1 OF 2	



ISOMETRIC VIEW



Configuration Table				
MODEL NUMBER	HEIGHT (H)	WIDTH (W)	DEPTH (D)	BASE DEPTH (BD)
1026-1084-00	11.41 in.	9.41 in.	5.89 in.	4.70 in.
1026-1084-C	11.41 in.	9.41 in.	5.89 in.	4.70 in.
1026-12106-00	13.41 in.	11.41 in.	7.38 in.	6.20 in.
1026-12106-C	13.41 in.	11.41 in.	7.38 in.	6.20 in.
1026-14126-00	15.40 in.	13.40 in.	7.39 in.	6.20 in.
1026-14126-C	15.40 in.	13.40 in.	7.39 in.	6.20 in.
1026-16148-00	17.41 in.	15.41 in.	9.40 in.	8.20 in.
1026-16148-C	17.41 in.	15.41 in.	9.40 in.	8.20 in.
1026-181610-00	19.41 in.	17.41 in.	11.41 in.	10.20 in.
1026-181610-C	19.41 in.	17.41 in.	11.41 in.	10.20 in.
1026-20168-00	21.41 in.	17.41 in.	9.47 in.	8.26 in.
1026-20168-C	21.41 in.	17.41 in.	9.47 in.	8.26 in.
1026-242410-00	25.41 in.	25.41 in.	11.41 in.	10.20 in.
1026-242410-C	25.41 in.	25.41 in.	11.41 in.	10.20 in.

DRAWN CAH	8/3/2021	Oberon, Inc. - 1315 S. Allen St. - State College, PA 16801		
CHECKED CAH	8/3/2021	TITLE		
QA		Model 1026-XX		
MFG CAH	8/3/2021	SIZE C	DWG NO 1026-XX	REV 9
APPROVED CAH	8/3/2021	SCALE	SHEET 2 OF 2	
TOLERANCE:				
.0 = +/- .030				
.00 = +/- .015				
.000 = +/- .005				