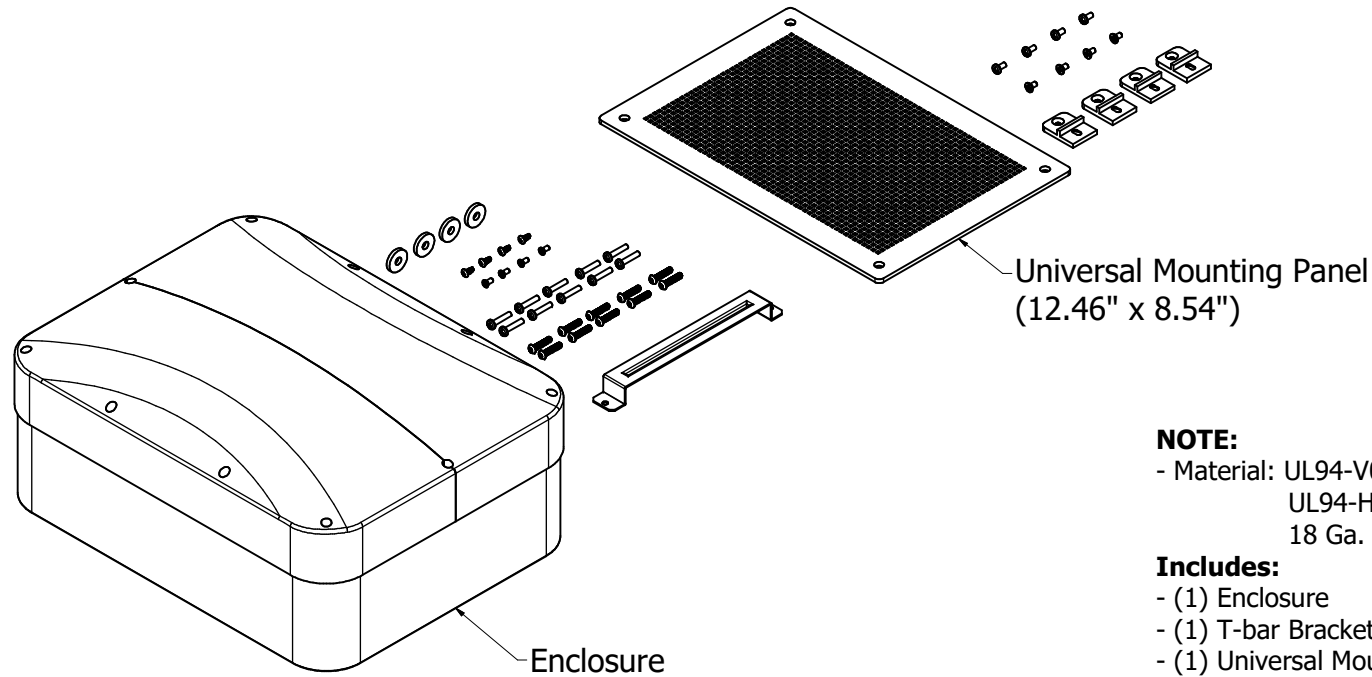


REVISION HISTORY				
ZONE	REV	DESCRIPTION	DATE	APPROVED
All	1	Added Mounting Legend	8/9/2019	DLV
All	2	Updated Views, "Includes" List, and Mounting Legend; Added Notes, Rearranged Pages	3/16/2020	CAH
All	3	Added #6 x 5/16 in. Flat Head Thread-Forming Screws; Updated "Includes" List	6/9/2020	CAH



**NOTE:**

- Material: UL94-V0 White Polycarbonate NEMA 4 Enclosure
- UL94-HB Gray ABS Plastic Universal Mounting Panel
- 18 Ga. White Powder Coated Steel T-Bar Bracket

**Includes:**

- (1) Enclosure
- (1) T-bar Bracket
- (1) Universal Mounting Panel
- (4) Cushioning Washers
- (4) Wall Mount Brackets
- (4) M4 x 8 mm Flat Head Screws
- (4) M4 x 8 mm Pan head Screws
- (4) #6 x 5/16 in. Flat Head Thread-Forming Screws
- (4) #6 x 5/16 in. Pan Head Thread-Forming Screws
- (10) M4 x 20 mm Captive Torx Lid Screws
- (10) M4 x 20 mm Captive Phillips Lid Screws

DRAWN CAH	6/9/2020	Oberon, Inc. - 1315 S. Allen St. - State College, PA 16801		
CHECKED CAH	6/9/2020	TITLE		
QA		Model 1022-00		
MFG CAH	6/9/2020	SIZE C	DWG NO 1022-00	REV 3
APPROVED CAH	6/9/2020	SCALE		SHEET 1 OF 3
TOLERANCE:		.0 = +/- .030		
		.00 = +/- .015		
		.000 = +/- .005		

4

3

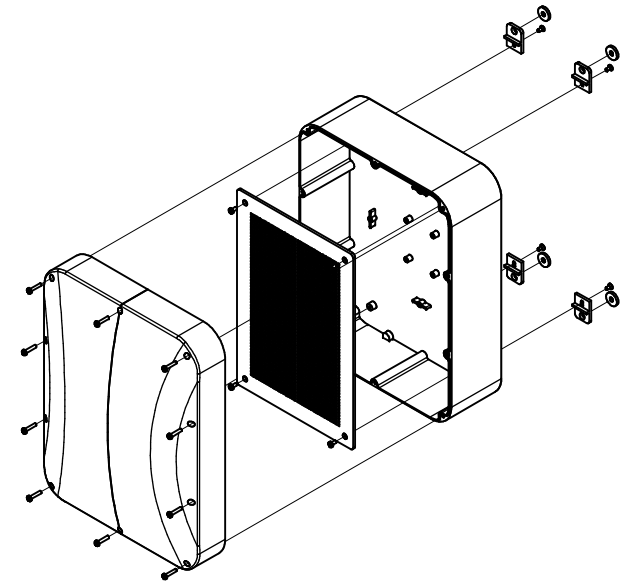
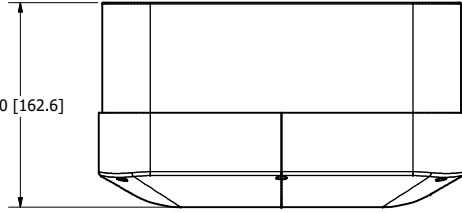
2

1

D

D

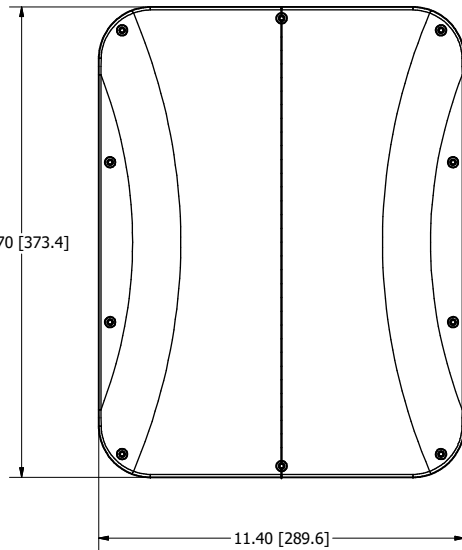
6.40 [162.6]



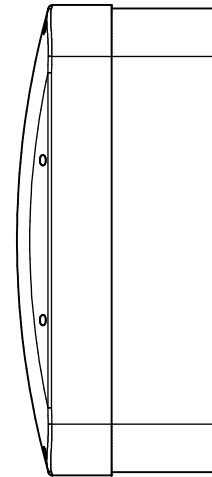
C

C

14.70 [373.4]



11.40 [289.6]



B

B

A

A

DRAWN	6/9/2020	Oberon, Inc. - 1315 S. Allen St. - State College, PA 16801		
CHECKED	6/9/2020	TITLE		
CAH		Model 1022-00		
QA				
MFG	6/9/2020	SIZE	DWG NO	REV
CAH		C	1022-00	3
APPROVED	6/9/2020	SCALE	SHEET 2 OF 3	
CAH				
TOLERANCE:	.0 = +/- .030			
	.00 = +/- .015			
	.000 = +/- .005			

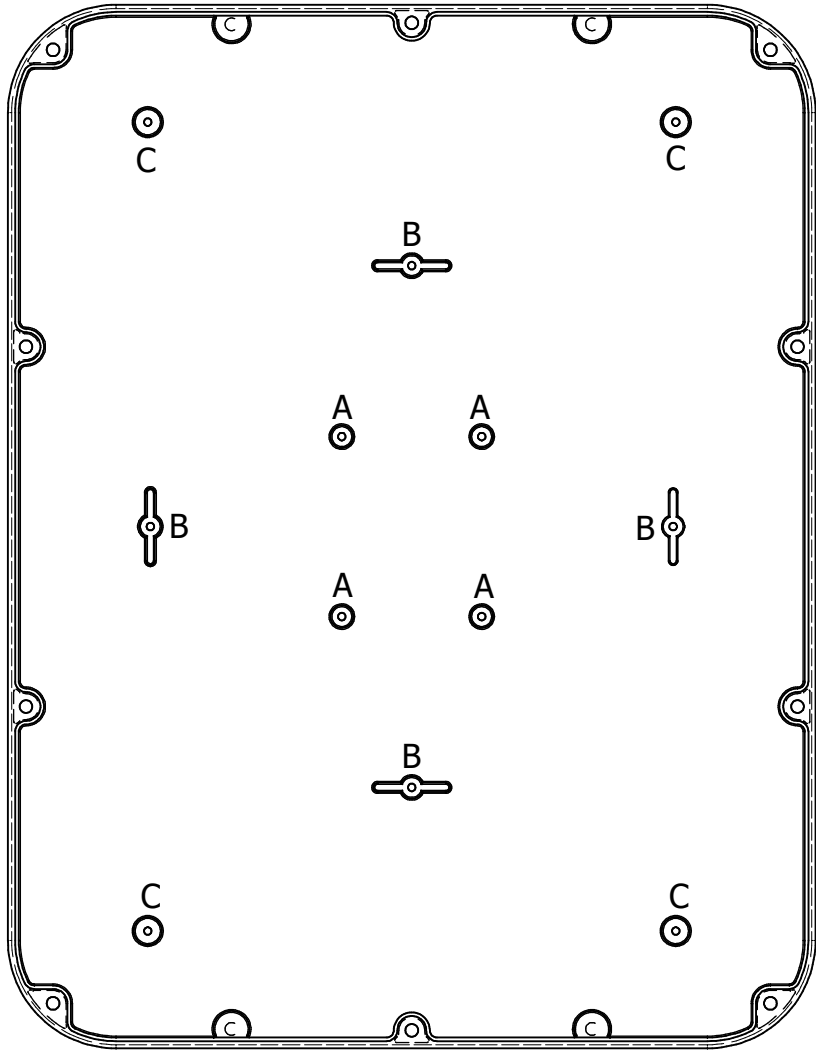
4

3

2

1

4



## Mounting Legend

- A - Cisco AIR-AP-BRACKET-1 or -2
- B - Oberon T-bar
- C - Plastic Universal Mounting Panel

DRAWN	CAH	6/9/2020	Oberon, Inc. - 1315 S. Allen St. - State College, PA 16801	
CHECKED	CAH	6/9/2020	TITLE	
QA			Model 1022-00	
MFG	CAH	6/9/2020	SIZE	DWG NO
APPROVED	CAH	6/9/2020	C	1022-00
TOLERANCE:			SCALE	REV
	.0 = +/- .030			3
	.00 = +/- .015			
	.000 = +/- .005			
			SHEET 3 OF 3	