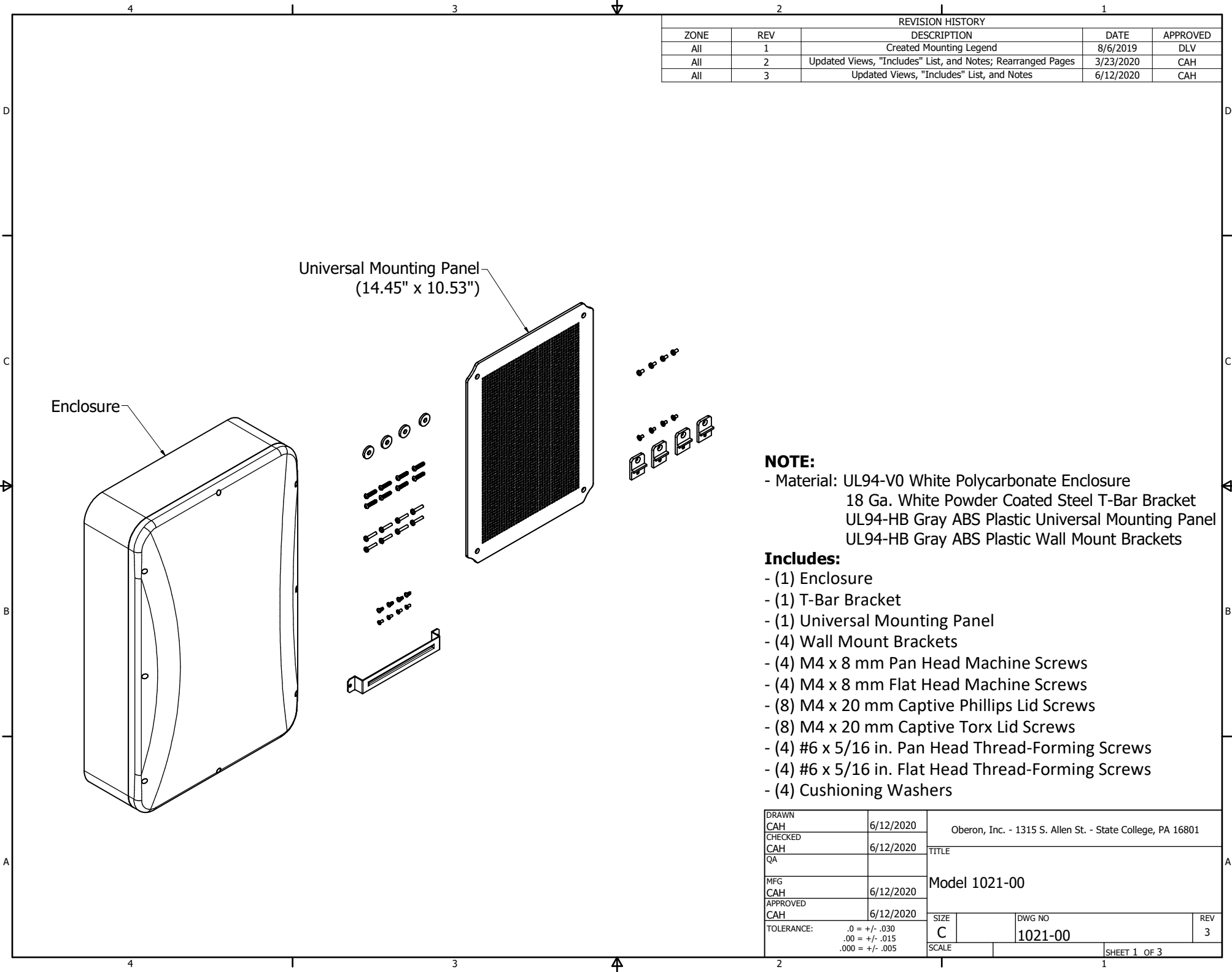


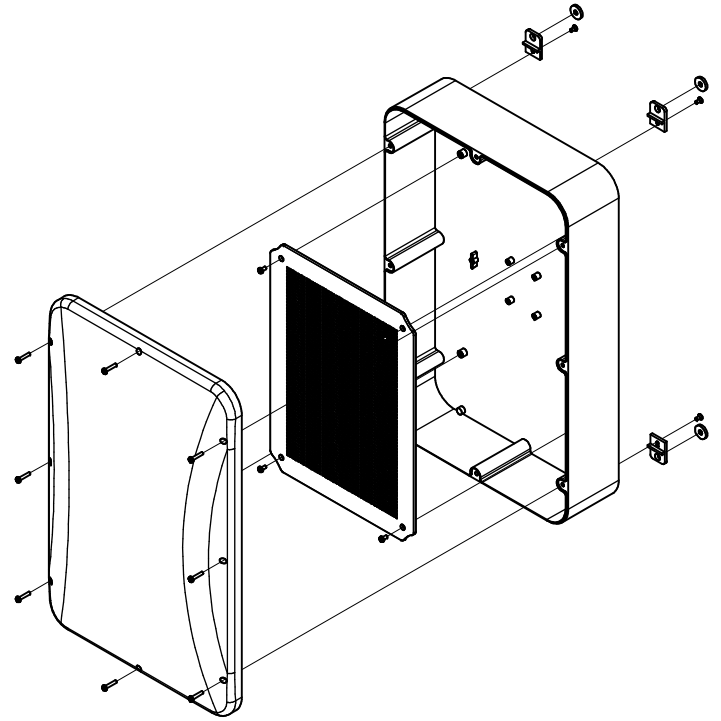
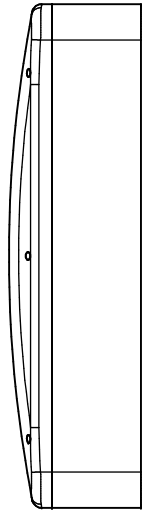
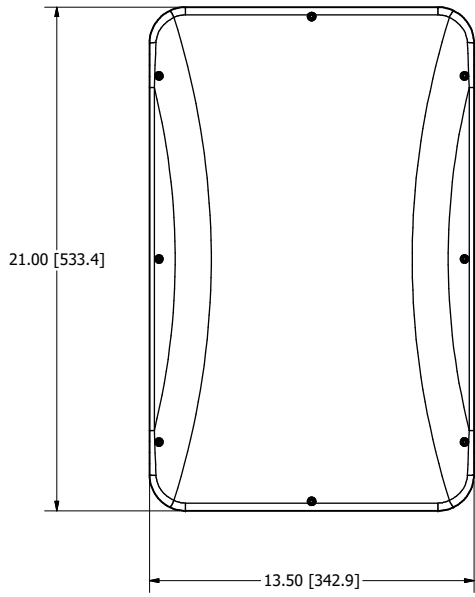
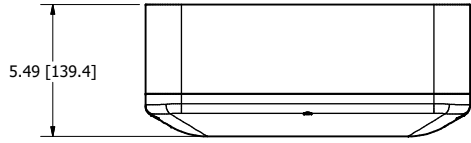
REVISION HISTORY				
ZONE	REV	DESCRIPTION	DATE	APPROVED
All	1	Created Mounting Legend	8/6/2019	DLV
All	2	Updated Views, "Includes" List, and Notes; Rearranged Pages	3/23/2020	CAH
All	3	Updated Views, "Includes" List, and Notes	6/12/2020	CAH



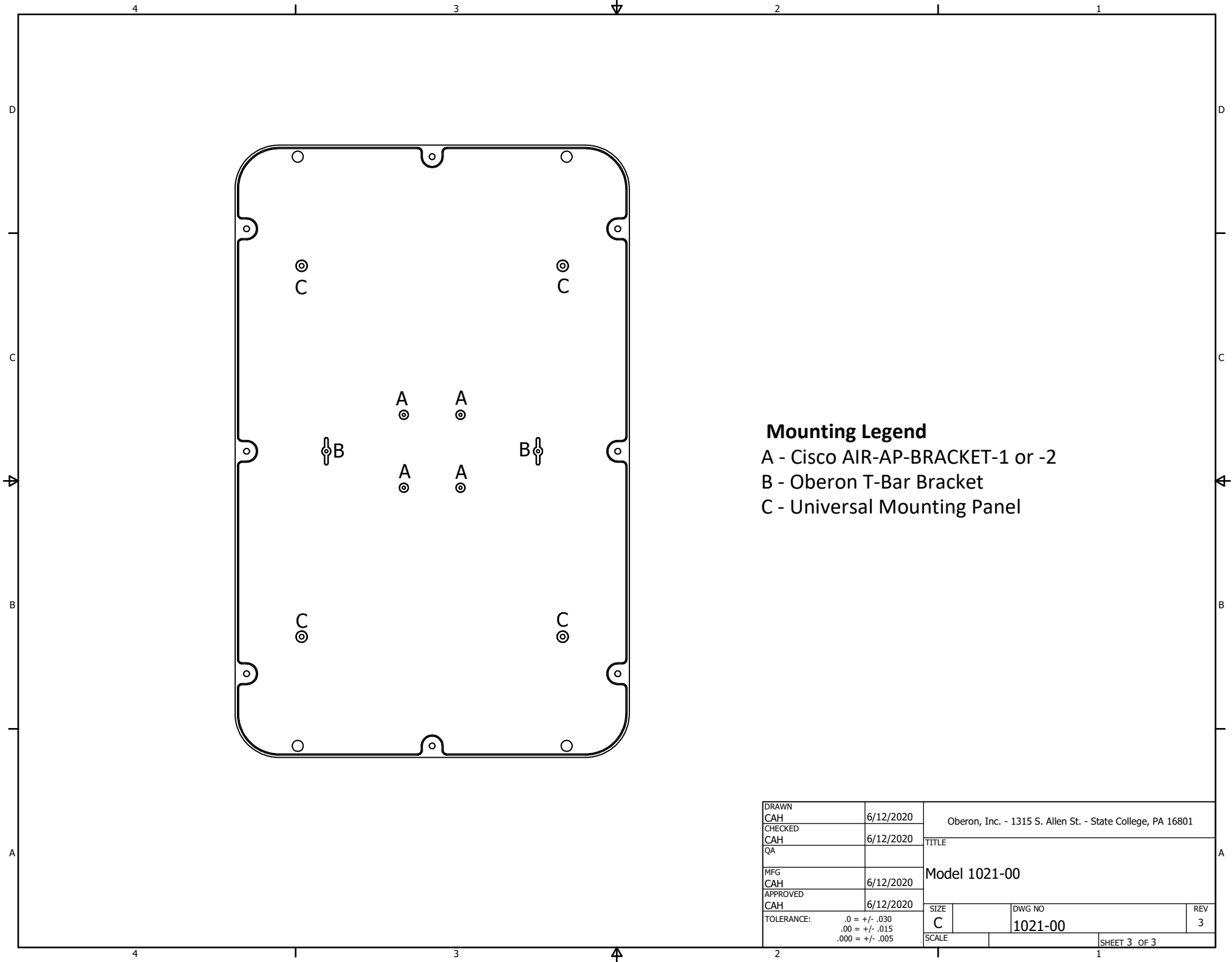
**NOTE:**  
 - Material: UL94-V0 White Polycarbonate Enclosure  
 18 Ga. White Powder Coated Steel T-Bar Bracket  
 UL94-HB Gray ABS Plastic Universal Mounting Panel  
 UL94-HB Gray ABS Plastic Wall Mount Brackets

- Includes:**
- (1) Enclosure
  - (1) T-Bar Bracket
  - (1) Universal Mounting Panel
  - (4) Wall Mount Brackets
  - (4) M4 x 8 mm Pan Head Machine Screws
  - (4) M4 x 8 mm Flat Head Machine Screws
  - (8) M4 x 20 mm Captive Phillips Lid Screws
  - (8) M4 x 20 mm Captive Torx Lid Screws
  - (4) #6 x 5/16 in. Pan Head Thread-Forming Screws
  - (4) #6 x 5/16 in. Flat Head Thread-Forming Screws
  - (4) Cushioning Washers

DRAWN CAH	6/12/2020	Oberon, Inc. - 1315 S. Allen St. - State College, PA 16801		
CHECKED CAH	6/12/2020	TITLE		
QA		Model 1021-00		
MFG CAH	6/12/2020	SIZE C	DWG NO 1021-00	REV 3
APPROVED CAH	6/12/2020	SCALE	SHEET 1 OF 3	
TOLERANCE:		.0 = +/- .030 .00 = +/- .015 .000 = +/- .005		



DRAWN CAH	6/12/2020	Oberon, Inc. - 1315 S. Allen St. - State College, PA 16801		
CHECKED CAH	6/12/2020	TITLE		
QA		Model 1021-00		
MFG CAH	6/12/2020	SIZE C	DWG NO 1021-00	REV 3
APPROVED CAH	6/12/2020	SCALE	SHEET 2 OF 3	
TOLERANCE:				
.0 = +/- .030				
.00 = +/- .015				
.000 = +/- .005				



**Mounting Legend**

- A - Cisco AIR-AP-BRACKET-1 or -2
- B - Oberon T-Bar Bracket
- C - Universal Mounting Panel

DRAWN CAH	6/12/2020	Oberon, Inc. - 1315 S. Allen St. - State College, PA 16801		
CHECKED CAH	6/12/2020	TITLE		
QA		Model 1021-00		
MFG CAH	6/12/2020	SIZE C	DWG NO 1021-00	REV 3
APPROVED CAH	6/12/2020	SCALE	SHEET 3 OF 3	
TOLERANCE:		.0 = +/- .030 .00 = +/- .015 .000 = +/- .005		