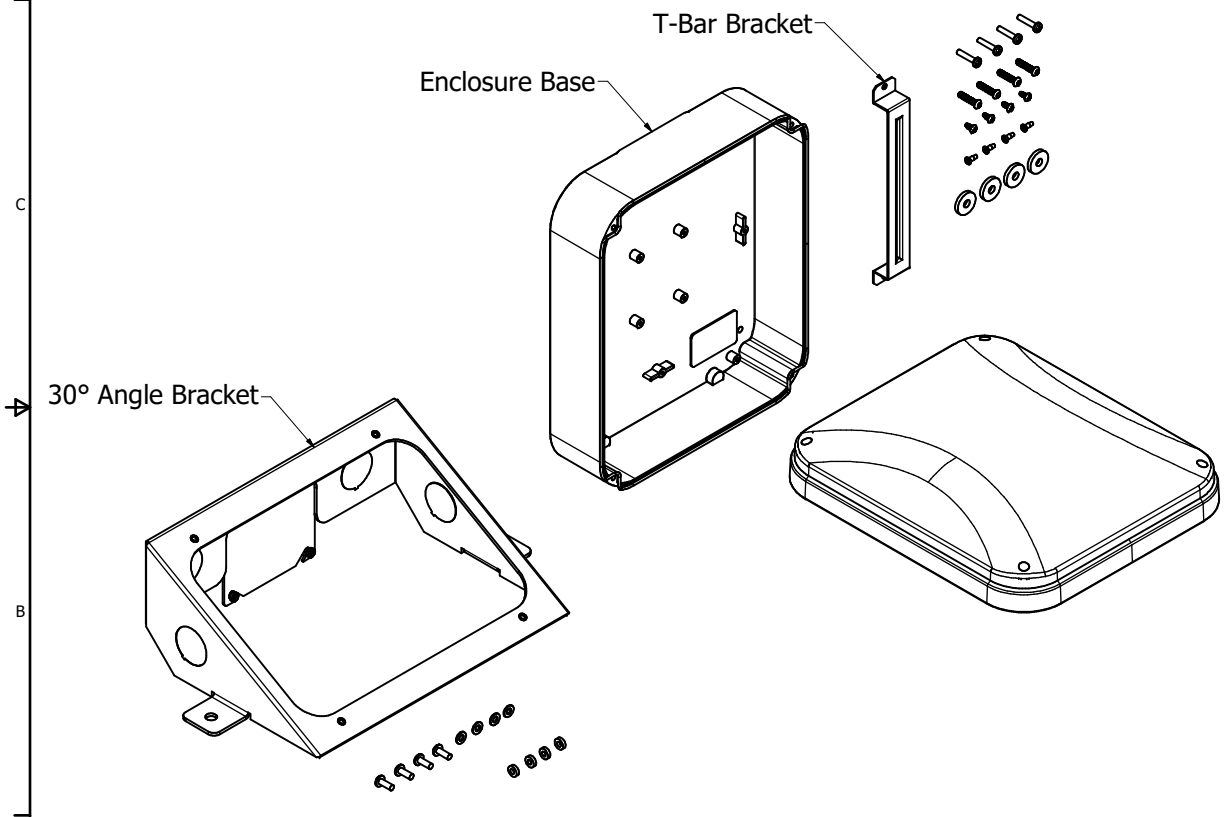


REVISION HISTORY				
ZONE	REV	DESCRIPTION	DATE	APPROVED
All	1	Released	3/7/2018	ATK
All	2	Updated Notes, "Includes" List, and Views, Added Mounting Legend	6/22/2020	CAH
Pg. 2	3	Updated Dimensions (Pg. 2)	6/25/2020	CAH
All	4	Updated Top Cover	11/15/2021	RLC



NOTE:

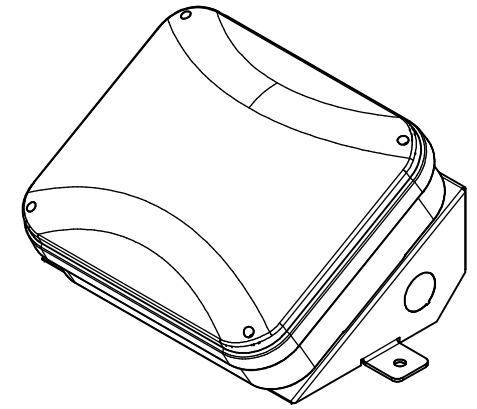
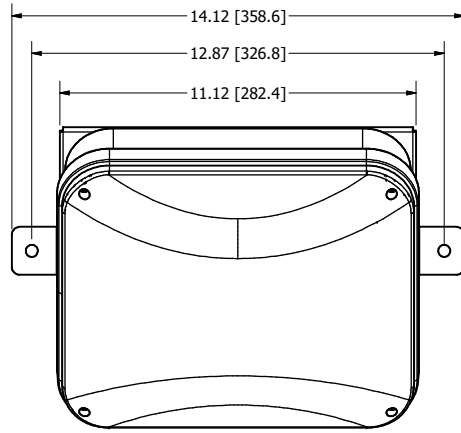
- Weight: 3 lbs.
- Material: Gray Textured UL94-V0 Polycarbonate
- Enclosure Base
- Gray Textured UL94-V0 Polycarbonate
- Enclosure Cover
- 18 Ga. White Powder Coated Steel T-Bar Bracket
- 0.10" Gray Powder Coated Aluminum 30° Angle Bracket

Includes:

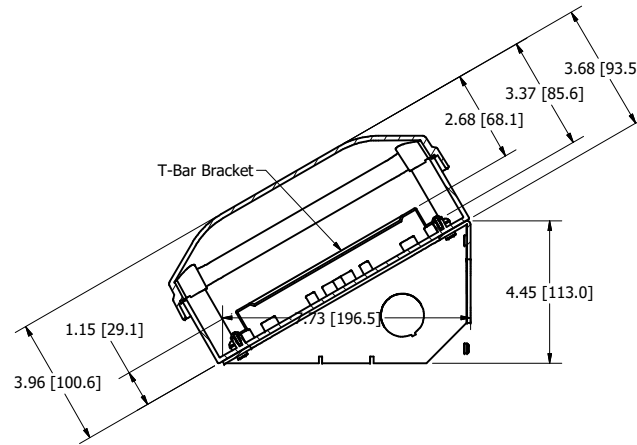
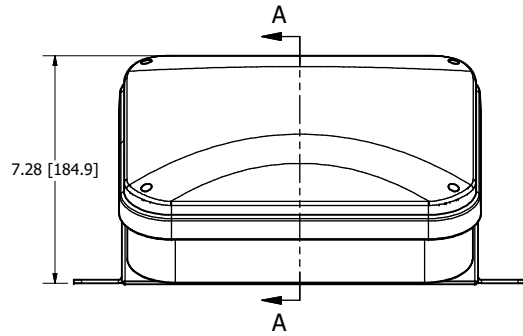
- (1) Enclosure
- (1) T-Bar Bracket
- (4) M4 x 20 mm Captive Phillips Lid Screws
- (4) M4 x 20 mm Captive Torx Lid Screws
- (4) #6 x 5/16 in. Pan Head Thread-Forming Screws for Plastic
- (4) #6 x 5/16 in. Flat Head Thread-Forming Screws for Plastic
- (4) Cushioning Washers
- (1) 30° Angle Bracket
- (1) Metal Double Gang Outlet Box Flat Blank Cover
- (4) #8 x 5/16 in. Phillips Truss Head Screws
- (4) #10 x 1/2 in. Phillips Pan Head Screws
- (4) #10 EPDM Rubber Sealing Washers
- (4) #10 Stainless Steel Washers

DRAWN	RLC	11/15/2021	Oberon, Inc. - 1315 S. Allen St. - State College, PA 16801	
CHECKED	RLC	11/15/2021	TITLE	
QA			Model 1020-00-USM30	
MFG	RLC	11/15/2021	SIZE	DWG NO
APPROVED	RLC	11/15/2021	C	1020-00-USM30
TOLERANCE:	.0 = +/- .030		SCALE	REV
	.00 = +/- .015			4
	.000 = +/- .005		SHEET 1 OF 3	

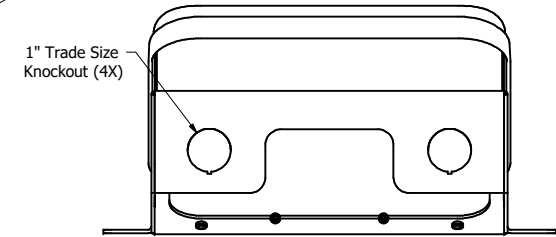
ENCLOSURE AND 30° ANGLE BRACKET



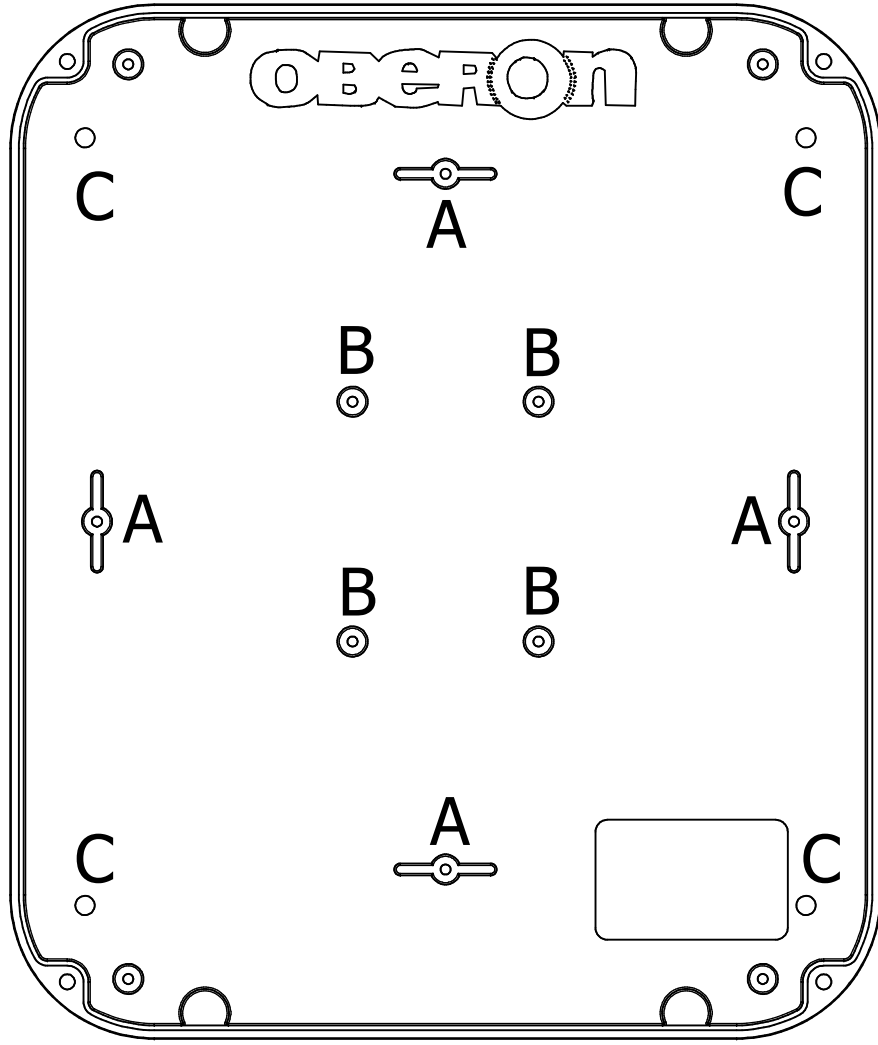
ISOMETRIC VIEW



SECTION A-A
SCALE 1 / 3



DRAWN RLC	11/15/2021	Oberon, Inc. - 1315 S. Allen St. - State College, PA 16801		
CHECKED RLC	11/15/2021	TITLE		
QA		Model 1020-00-USM30		
MFG RLC	11/15/2021	SIZE C	DWG NO 1020-00-USM30	REV 4
APPROVED RLC	11/15/2021	SCALE	SHEET 2 OF 3	
TOLERANCE:	.0 = +/- .030 .00 = +/- .015 .000 = +/- .005			



Mounting Legend

- A - Oberon T-bar
- B - Cisco AIR-AP-BRACKET-1 or -2
- C - Though Holes for 30° Angle Bracket

DRAWN RLC	11/15/2021	Oberon, Inc. - 1315 S. Allen St. - State College, PA 16801		
CHECKED RLC	11/15/2021	TITLE		
QA		Model 1020-00-USM30		
MFG RLC	11/15/2021	SIZE C	DWG NO 1020-00-USM30	REV 4
APPROVED RLC	11/15/2021	SCALE	SHEET 3 OF 3	
TOLERANCE:	.0 = +/- .030 .00 = +/- .015 .000 = +/- .005			