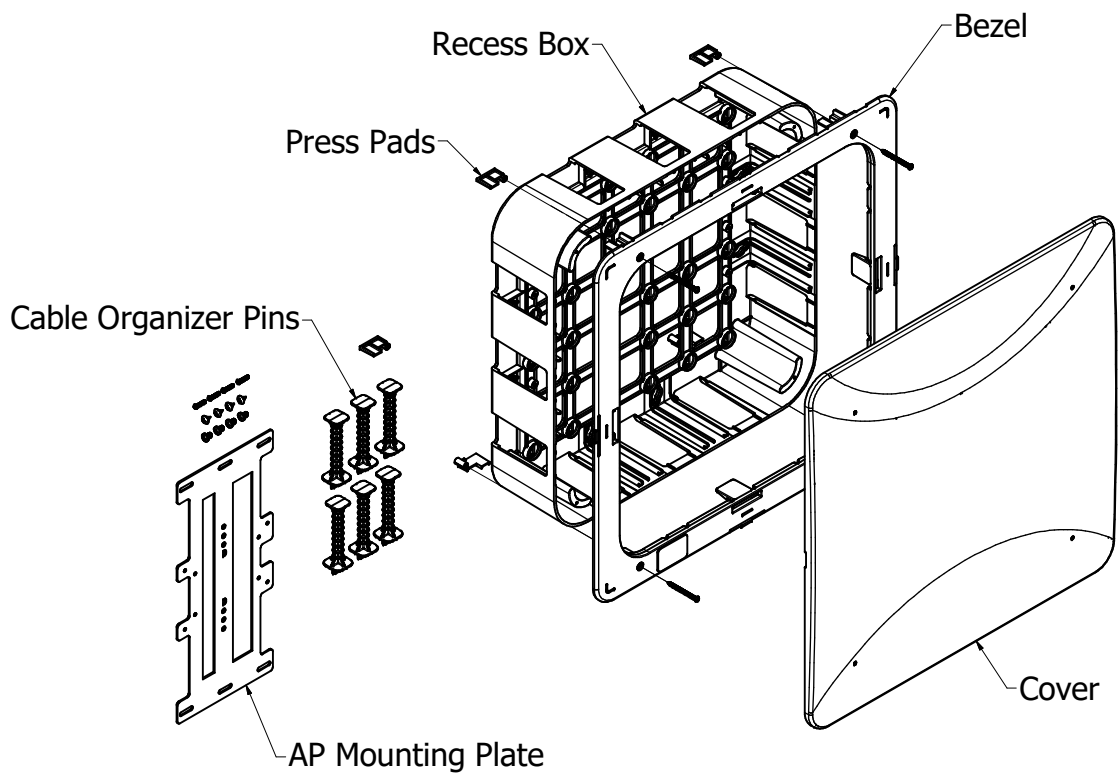


REVISION HISTORY				
ZONE	REV	DESCRIPTION	DATE	APPROVED
All	A	Released	9/8/2017	EAS
All	2	Added Mounting Hole Annotation	8/6/2019	DLV
All	3	Updated Title Block, Views, and Notes	11/17/2020	CAH
All	4	Updated Views, Notes, "Includes" List, and Mounting Legend	1/25/2020	CAH
All	5	Updated "Includes" List	4/30/2021	CAH



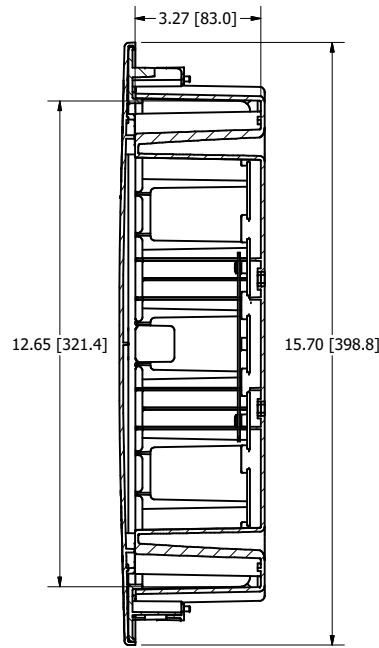
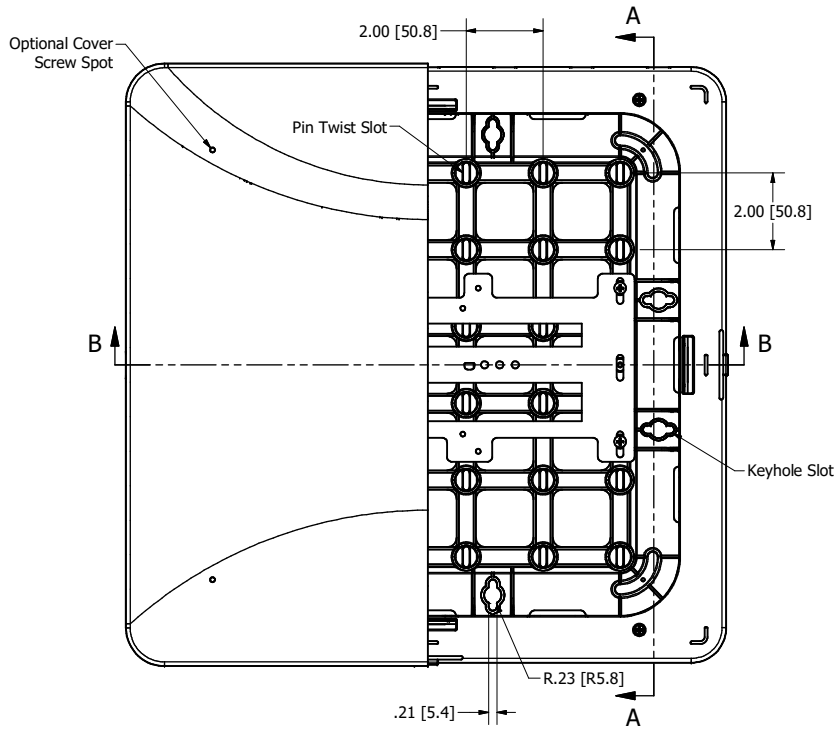
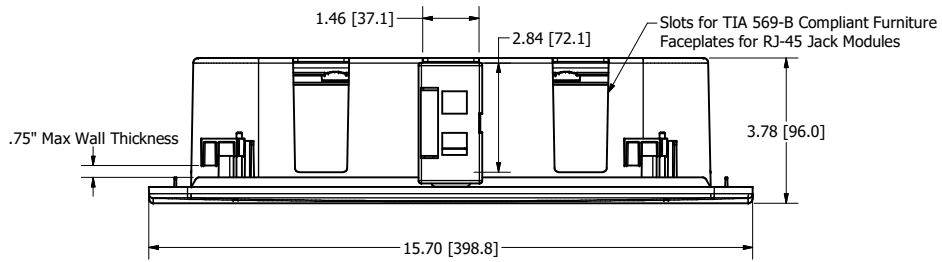
NOTES:

- Weight: 3.5 lbs
- Material:
White, Textured UL 94-5VB Flame Retardant PC/ABS Plastic
Recess Box, Bezel, Cover, Press Pads, and Cable Organizer Pins
16 Ga. Galvanized Steel AP Mounting Plate

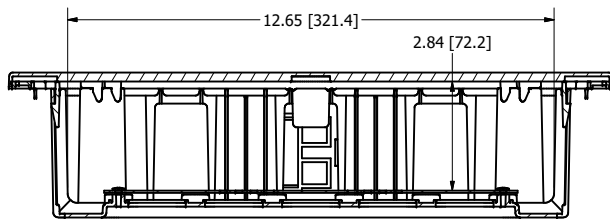
Includes:

- (1) Recess Box
- (1) Bezel
- (1) Cover
- (4) Press Pads
- (1) Spare Press Pad
- (6) Cable Organizer Pins
- (1) AP Mounting Plate
- (4) M4-0.7 x 6mm Pan Head Machine Screws
- (4) #4-24 x 1/2" Pan Head Thread-Forming Screws for Plastic
- (4) #4-24 x 1-1/2" Pan Head Screws
- (4) #8-15 x 1/4" Pan Head Screws

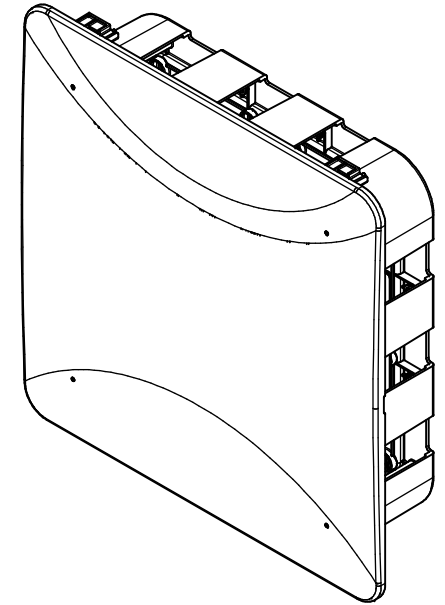
DRAWN CAH	4/30/2021	Oberon, Inc. - 1315 S. Allen St. - State College, PA 16801		
CHECKED CAH	4/30/2021			
QA		TITLE		
MFG CAH	4/30/2021	Model 1019-RM		
APPROVED CAH	4/30/2021	SIZE C	DWG NO 1019-RM	REV 5
TOLERANCE: .0 = +/- .030 .00 = +/- .015 .000 = +/- .005		SCALE	SHEET 1 OF 3	



SECTION A-A
SCALE 1 / 2.5



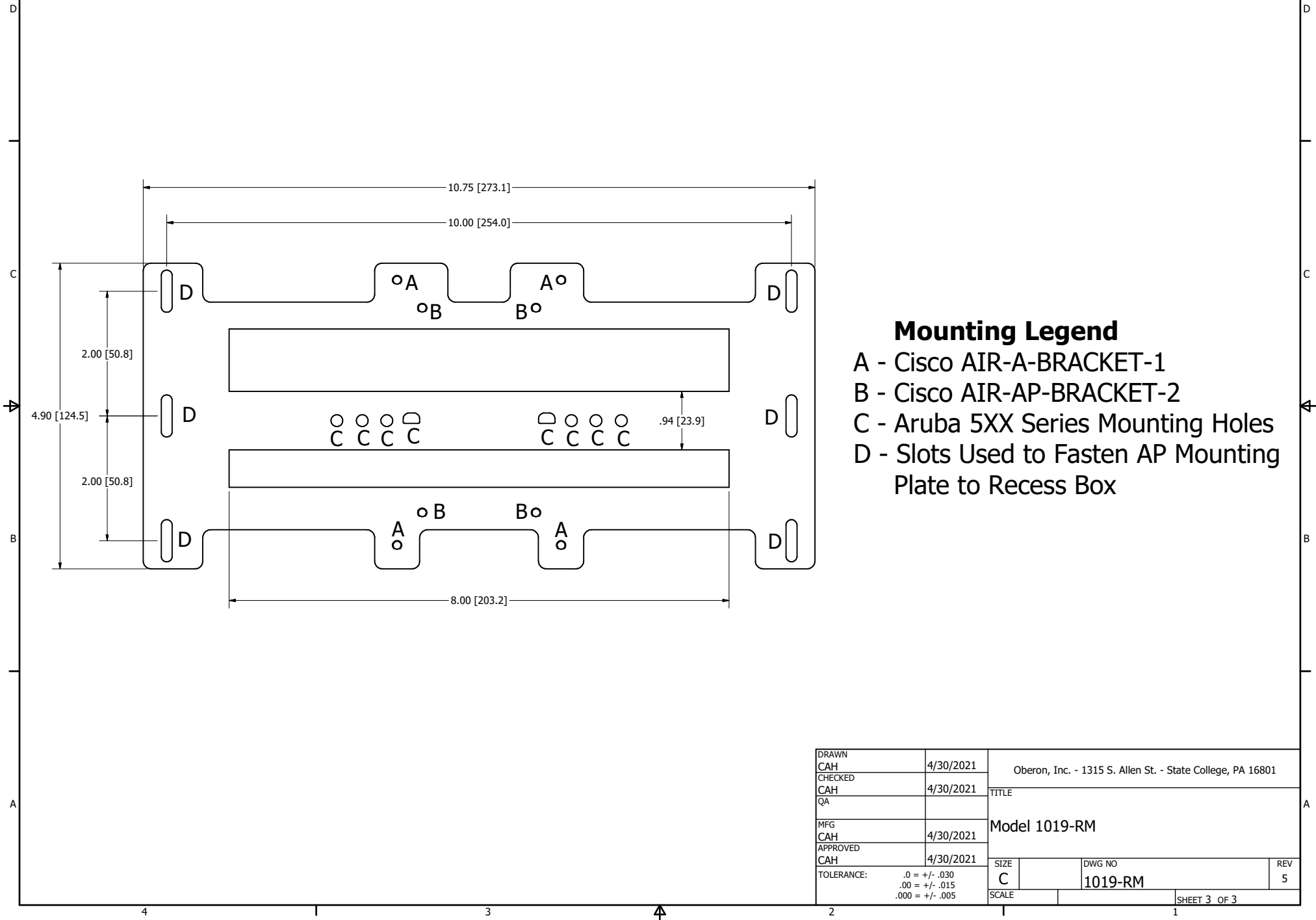
SECTION B-B
SCALE 1 / 2.5



ISOMETRIC VIEW

DRAWN CAH	4/30/2021	Oberon, Inc. - 1315 S. Allen St. - State College, PA 16801		
CHECKED CAH	4/30/2021	TITLE		
QA		Model 1019-RM		
MFG CAH	4/30/2021	SIZE C	DWG NO 1019-RM	REV 5
APPROVED CAH	4/30/2021	SCALE	SHEET 2 OF 3	
TOLERANCE:				
.0 = +/- .030				
.00 = +/- .015				
.000 = +/- .005				

AP Mounting Plate



Mounting Legend

- A - Cisco AIR-A-BRACKET-1
- B - Cisco AIR-AP-BRACKET-2
- C - Aruba 5XX Series Mounting Holes
- D - Slots Used to Fasten AP Mounting Plate to Recess Box

DRAWN CAH	4/30/2021	Oberon, Inc. - 1315 S. Allen St. - State College, PA 16801		
CHECKED CAH	4/30/2021	TITLE		
QA		Model 1019-RM		
MFG CAH	4/30/2021	SIZE C	DWG NO 1019-RM	REV 5
APPROVED CAH	4/30/2021	SCALE	SHEET 3 OF 3	
TOLERANCE:		.0 = +/- .030		
		.00 = +/- .015		
		.000 = +/- .005		