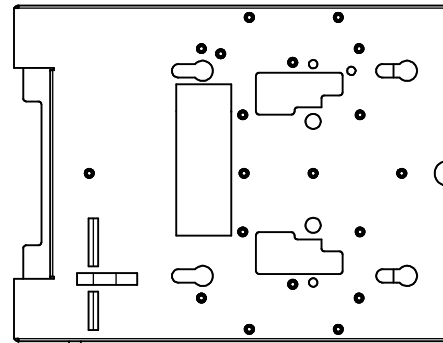
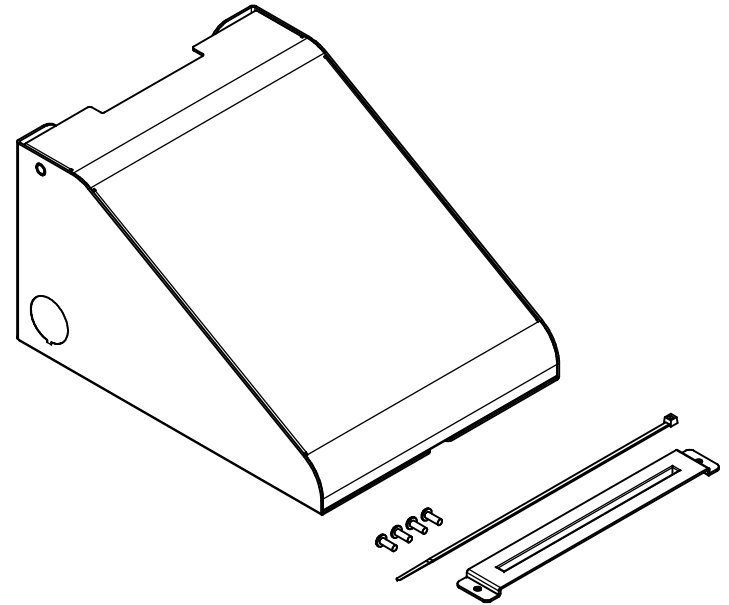
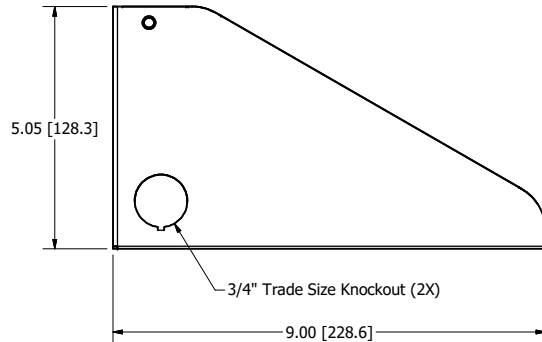
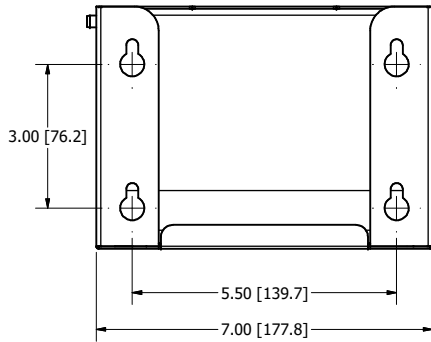


REVISION HISTORY				
ZONE	REV	DESCRIPTION	DATE	APPROVED
All	1	Released	7/24/2019	DLV
All	2	Updated Views, "Includes" List	12/12/2019	CAH
All	3	Updated "Includes" List, Mounting Legend, Views	3/11/2020	CAH
All	4	Updated Configuration Table	3/18/2020	CAH
All	5	Updated Views, "Includes" List, Configuration Table	4/2/2020	CAH
All	6	Removed Configuration Table; Updated Notes and "Includes" List	1/5/2021	CAH
All	7	Updated Views	5/4/2021	CAH
All	8	Added 8x11" Hole Pattern Template; Removed Hole Pattern Template from "Includes" List; Updated Views	9/21/2021	CAH
All	9	Updated Views and AP Mounting Legend	11/17/2021	CAH



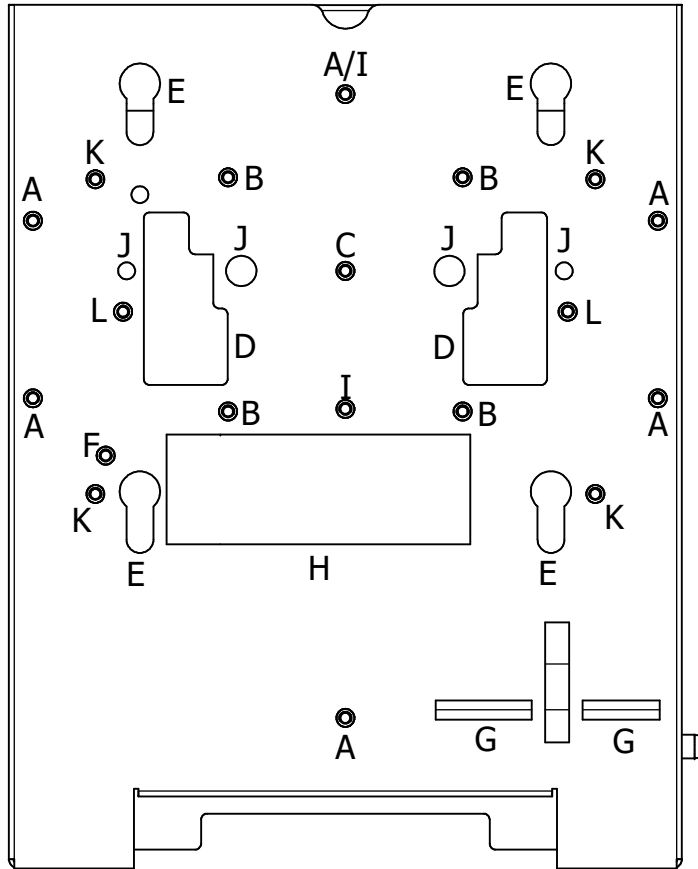
**NOTES:**

- Weight: 3 lbs
- Material: 20 Gauge Steel Right-Angle Wall Mount with White or Black Powder Coat

**Includes:**

- (1) Right-Angle Wall Mount
- (1) T-bar Bracket
- (4) #6-32 x 3/8 in. Screws
- (1) Cable Tie

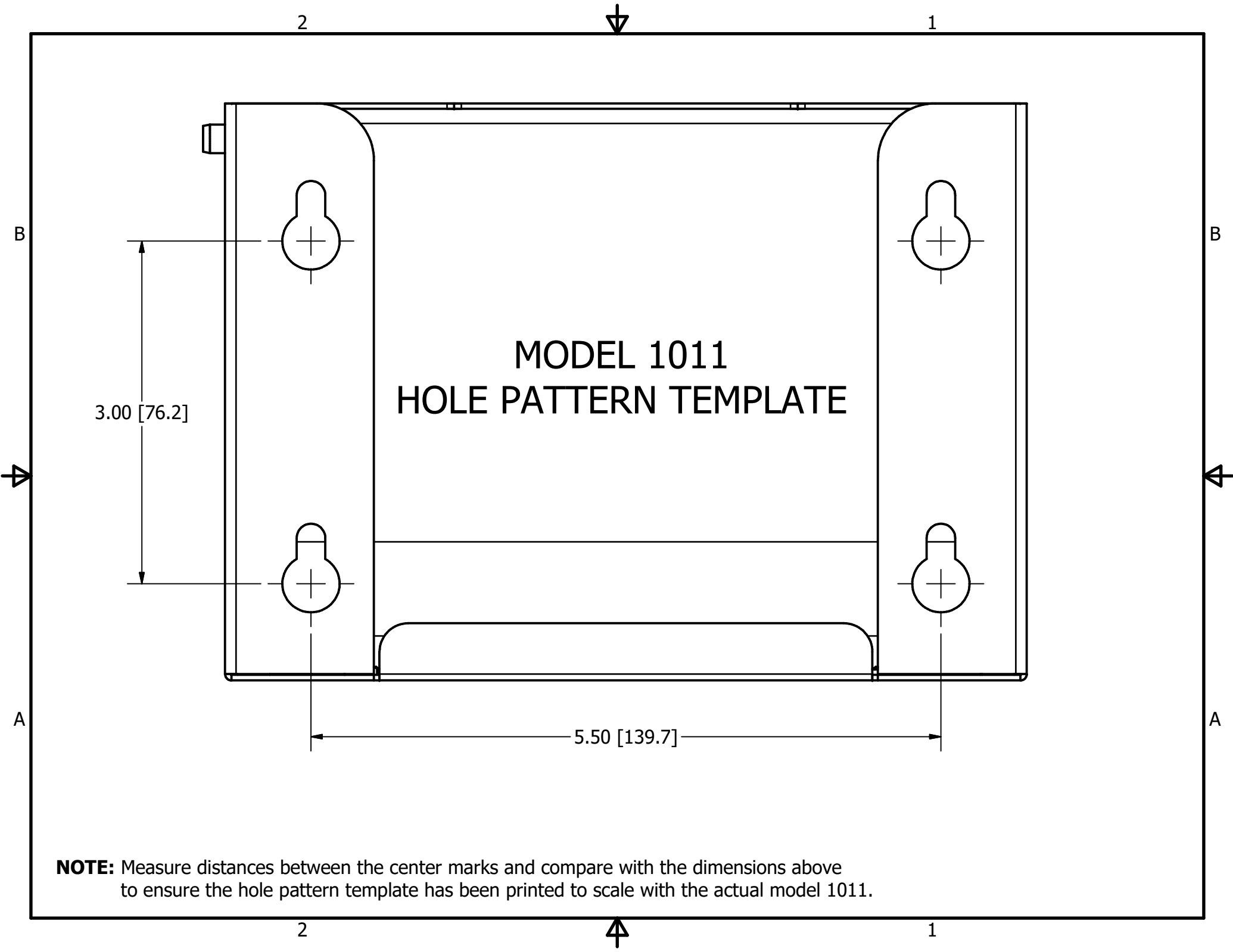
DRAWN CAH	11/17/2021	Oberon, Inc. - 1315 S. Allen St. - State College, PA 16801		
CHECKED CAH	11/17/2021	TITLE		
QA QA		Model 1011-00-XX		
MFG CAH	11/17/2021	SIZE C	DWG NO 1011-00-XX	REV 9
APPROVED CAH	11/17/2021	SCALE	SHEET 1 OF 3	
TOLERANCE:	.0 = +/- .030 .00 = +/- .015 .000 = +/- .005			



### AP Mounting Legend

- A - Oberon T-Bar Bracket Holes
- B - Cisco AIR-AP-BRACKET-2 Holes
- C - Aruba 3XX Series Set Screw Hole
- D - Aruba 3XX Series Mounting Features
- E - Key Slots for Mounting Cisco APs
- F - Cisco AP 2800/3800/4800/91XX Series Set Screw Hole
- G - Cisco Security Tie Slots
- H - Aruba Data Port Access
- I - Single Gang Outlet Box
- J - Aruba 5XX Series Mounting Holes
- K - Single Gang Outlet Box for Meraki MA-MNT-MR Mounting Plates
- L - Meraki MA-MNT-MR-14 Mounting Plate Holes

DRAWN CAH	11/17/2021	Oberon, Inc. - 1315 S. Allen St. - State College, PA 16801		
CHECKED CAH	11/17/2021	TITLE		
QA		Model 1011-00-XX		
MFG CAH	11/17/2021	SIZE C	DWG NO 1011-00-XX	REV 9
APPROVED CAH	11/17/2021	SCALE	SHEET 2 OF 3	
TOLERANCE:	.0 = +/- .030 .00 = +/- .015 .000 = +/- .005			



2



1

B

B

3.00 [76.2]



MODEL 1011  
HOLE PATTERN TEMPLATE

A

A

5.50 [139.7]

**NOTE:** Measure distances between the center marks and compare with the dimensions above to ensure the hole pattern template has been printed to scale with the actual model 1011.

2



1