

4

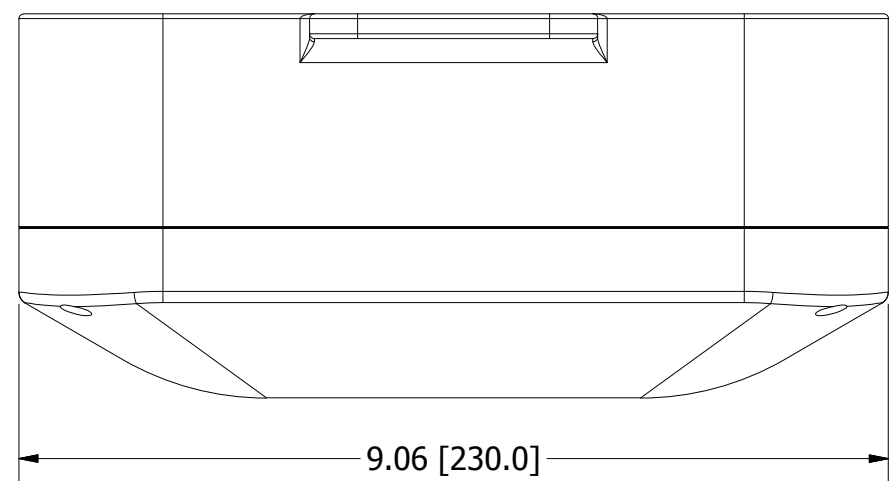
3

2

1

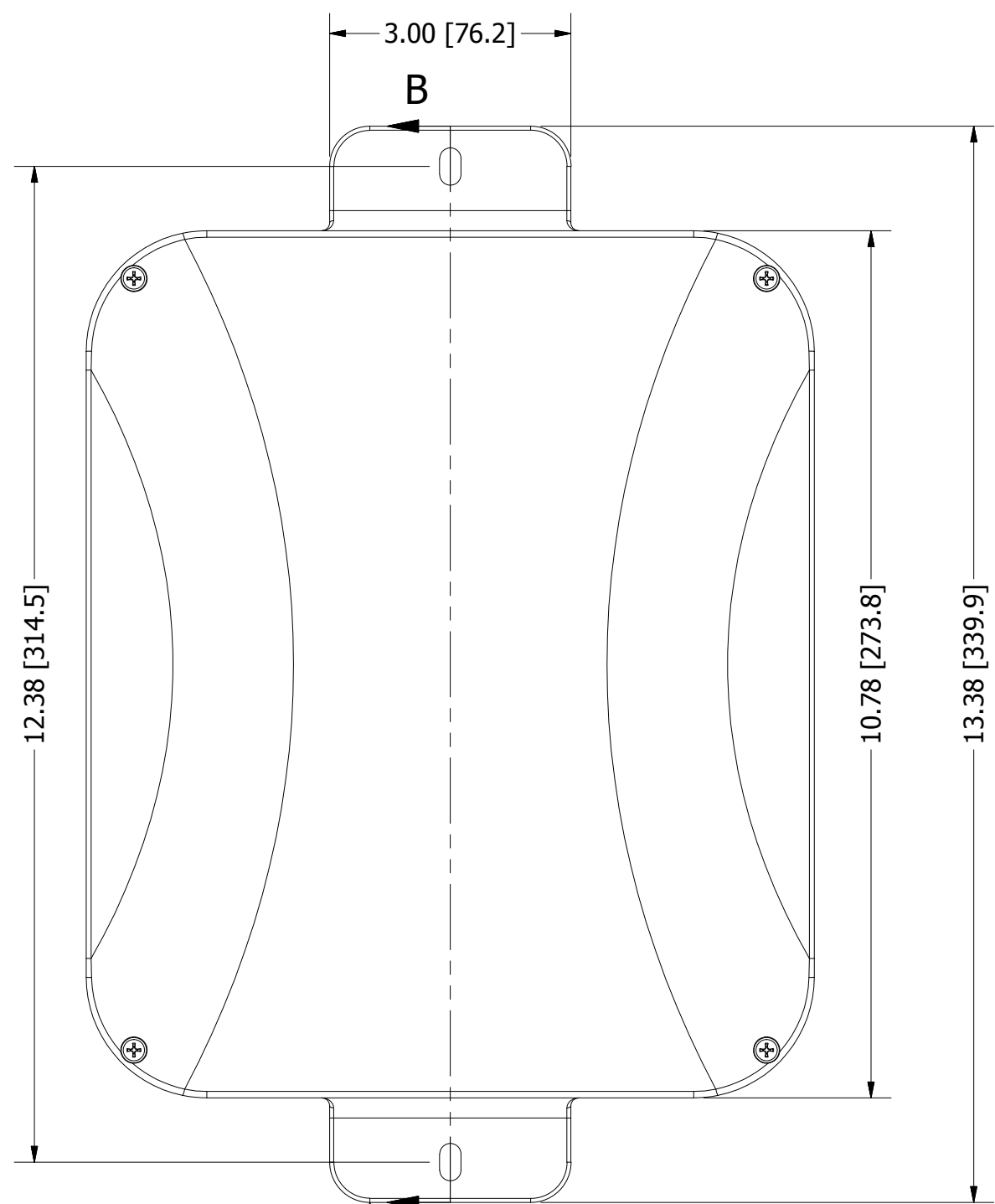
D

D



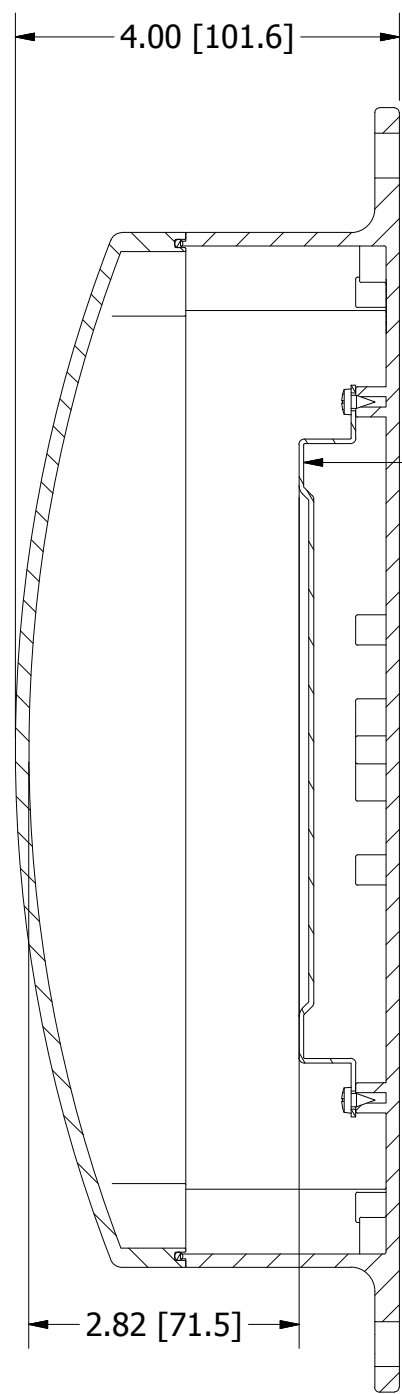
C

C

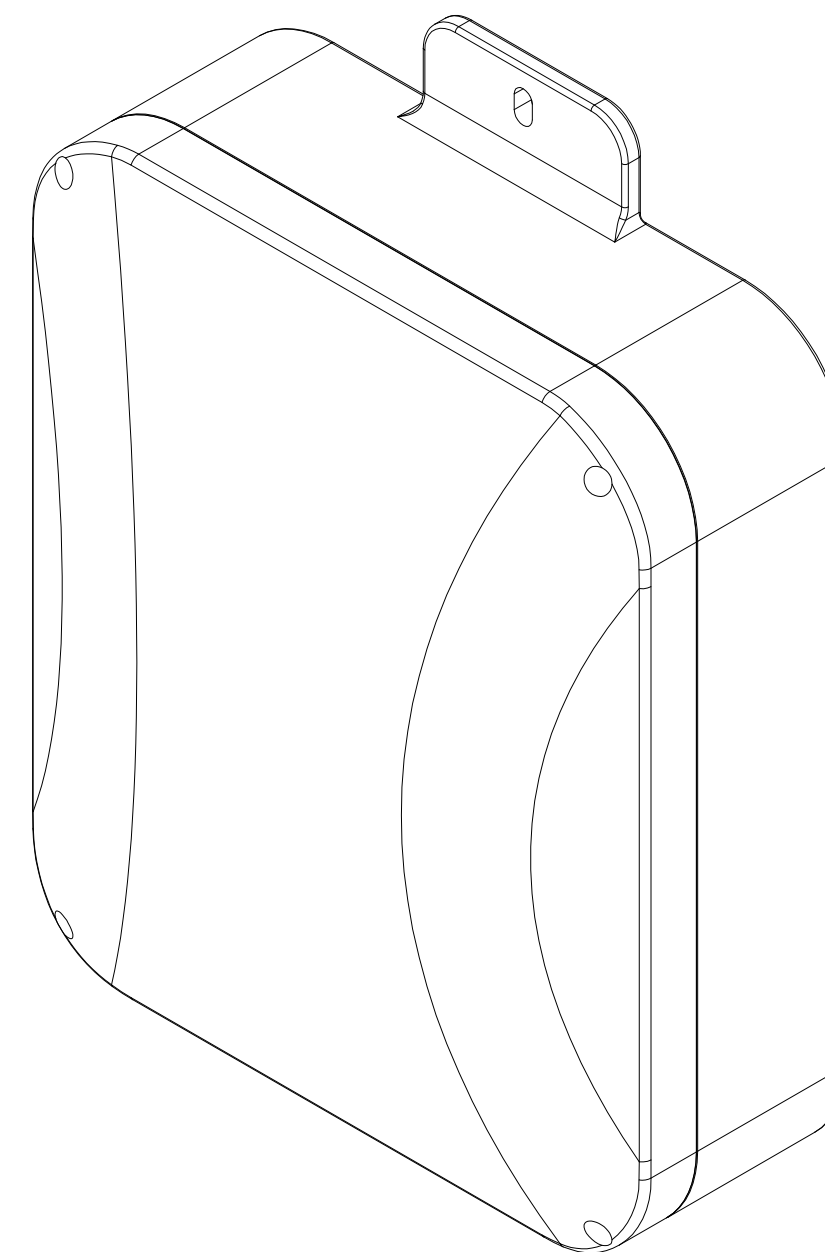


B

B



SECTION B-B  
SCALE 1 / 2



ISOMETRIC VIEW

**NOTE:**

- Material:  
Base and Cover: Gray Textured UL94-V0 Polycarbonate
- Includes:  
 (1) UL94-V0 Polycarbonate NEMA 4 Enclosure  
 (1) T-Bar Bracket (1)  
 (4) #6 x 1/4" Pan Head Screws  
 (4) #6 x 3/8" Flat Head Screws  
 (4) Cushioning Washers  
 (4) M4 x 20mm Captured Lid Screws  
 (4) M4 x 20mm Torx Captured Lid Screws

A

A

A

A

4

3

2

1

DRAWN EAS	1/14/2014	Oberon, Inc. - 1315 S. Allen St. - State College, PA 16801		
CHECKED EAS	1/14/2014	TITLE		
QA		Model 1020-00 Customer Print		
MFG EAS	1/14/2014	SIZE <b>C</b>	DWG NO <b>2111</b>	REV <b>P</b>
APPROVED EAS	1/14/2014	SCALE	SHEET 1 OF 1	
TOLERANCE:		.0 = +/- .030 .00 = +/- .015 .000 = +/- .005		

Enclosure Mounting Flanges

T-Bar Bracket