



## **MODEL 39-1020-PMK**

**Installation Instructions**

### **\*\*\*\* WARNING \*\*\*\***

**Please thoroughly read the product warning below before installation to provide for a safe work environment.**

1. Always consider the hazard to other people:
  - a. During installation, use warning signs, etc.
  - b. Don't work with people directly below the work area as equipment could fall and cause an injury
2. Be sure to securely fasten the enclosure to the wall or ceiling to prevent the enclosure from becoming dislodged.

# Installation Instructions

## Model 39-1020-PMK

### Assembly Components:

- Pole Mount Bracket – 1 each
- Worm Gear Clamp – 2 each
- #10-32 x 3/8 Screws – 4 each

If any of these items are missing, contact your Oberon representative.

Step 1 – Slide the Worm Gear Clamps through the side slots of the Pole Mount Bracket, and fasten the clamps around the round pole or square pole (Figure 1). Note, the included clamps only work for poles ranging from 5 inches to 9 inches diameter.

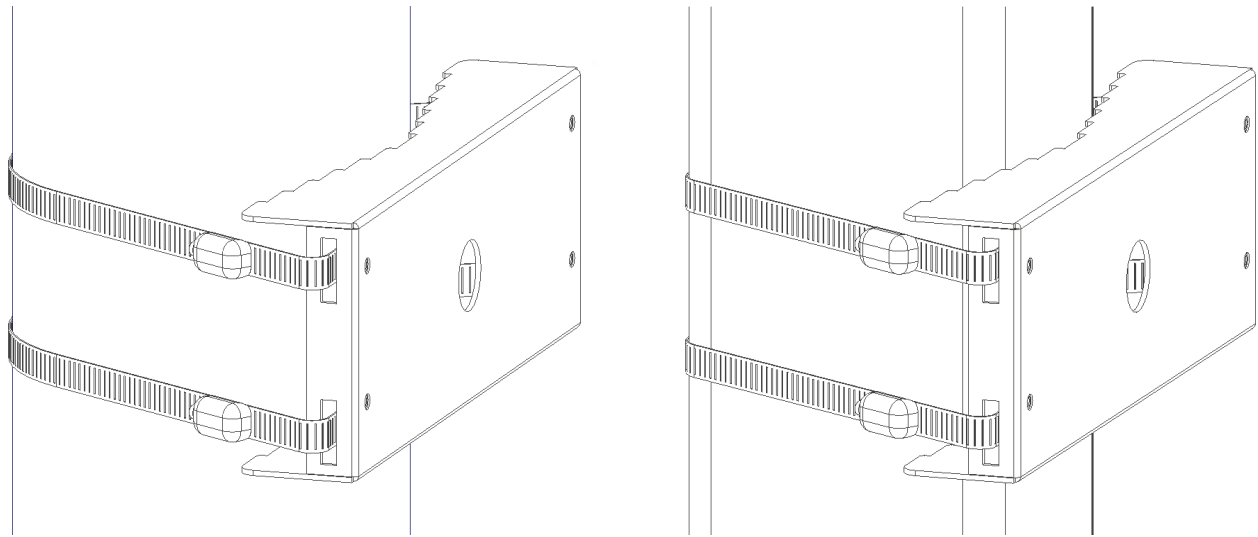


Figure 1 - Round and Square Pole Mounting

Step 2 – Fasten the assembled 1020-RAB unit with the cover off to the Pole Mount Bracket. The enclosure can be mounted horizontally or vertically (Figure 3).

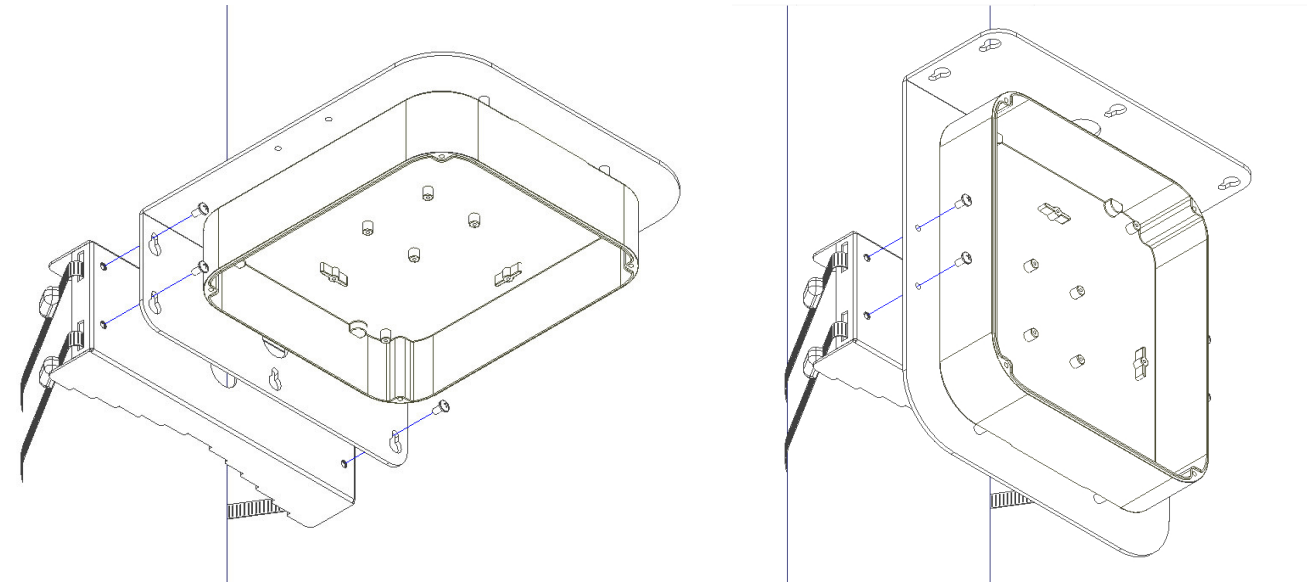


Figure 2 - 1020-RAB Horizontal and Vertical Install

Step 3 – Route any cabling as needed, and install the access point with the 1020-RAB included hardware. Screw on the cover to 8 in-lbs for a proper seal (Figure 3). Installation is complete.

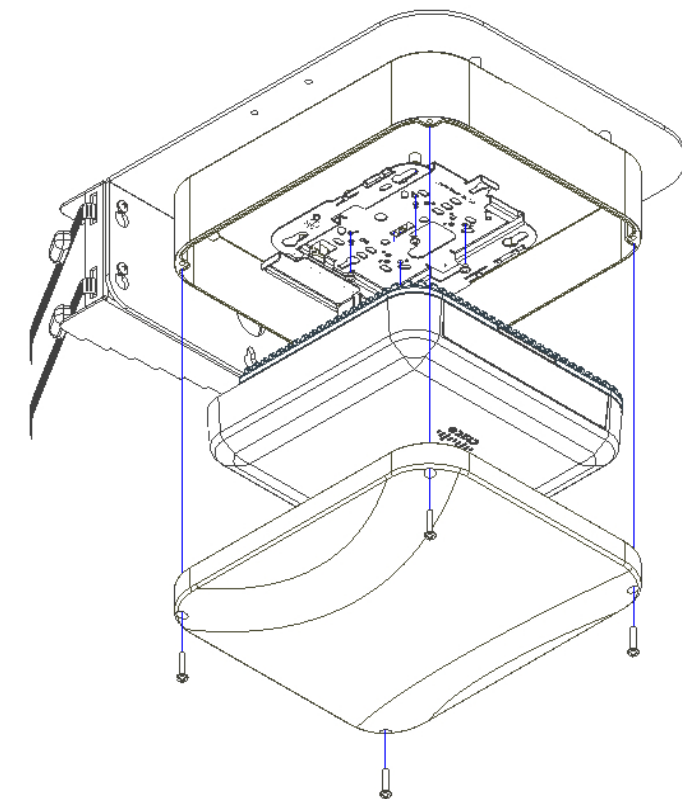


Figure 3 - Cisco AP and Antenna Installation