



MODEL 39-1016-ANTPLATE
Installation Instructions

****** WARNING ******

Please thoroughly read the product warning below before installation to provide for a safe work environment.

1. Always consider the hazard to other people:
 - a. During installation, use warning signs, etc.
 - b. Don't work with people directly below the work area as equipment could fall and cause an injury
2. Be sure to securely fasten the enclosure to the wall or ceiling to prevent the enclosure from becoming dislodged.

Installation Instructions

Model 39-1016-ANTPLATE

Assembly Components:

- Antenna Bracket – 1 each
- Mounting Plate – 2 each
- #8-32 x 3/8 Screws – 6 each
- #8-32 x 1/4 Screws – 4 each
- #6 Tapping Screws – 1 each

If any of these items are missing, contact your Oberon representative.

Step 1 – Install the Model 1016 enclosure per the included instructions

Step 2 – Fasten the articulating Antenna Bracket to the Mounting Plate using two of the included #8-32 x 3/8 screws. Tighten the screws once the desired angle is achieved (Figure 1).

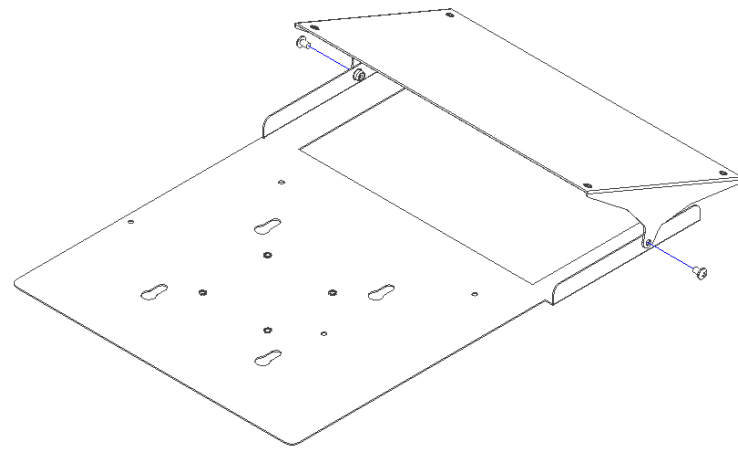


Figure 1 - Antenna Bracket Angle Articulation

Step 3 – Fasten the Antenna Bracket and Mounting Plate assembly to the 1016 enclosure using the provided #6 Screws (Figure 2).

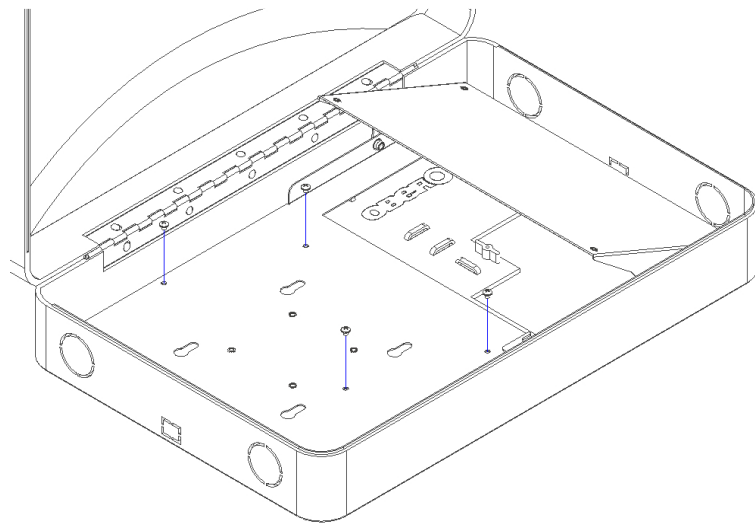


Figure 2 - Antenna Bracket and Mounting Plate Installation

Step 4 – Fasten the Cisco AIR-ANT2566p4W-R to the antenna bracket using the supplied #8-32 x 3/8 screws and attach the Cisco AP by sliding the feet into the keyhole slots or fastening the AIR-AP-BRACKET-2 with the supplied #8-32 x 1/4 screws (Figure 3).

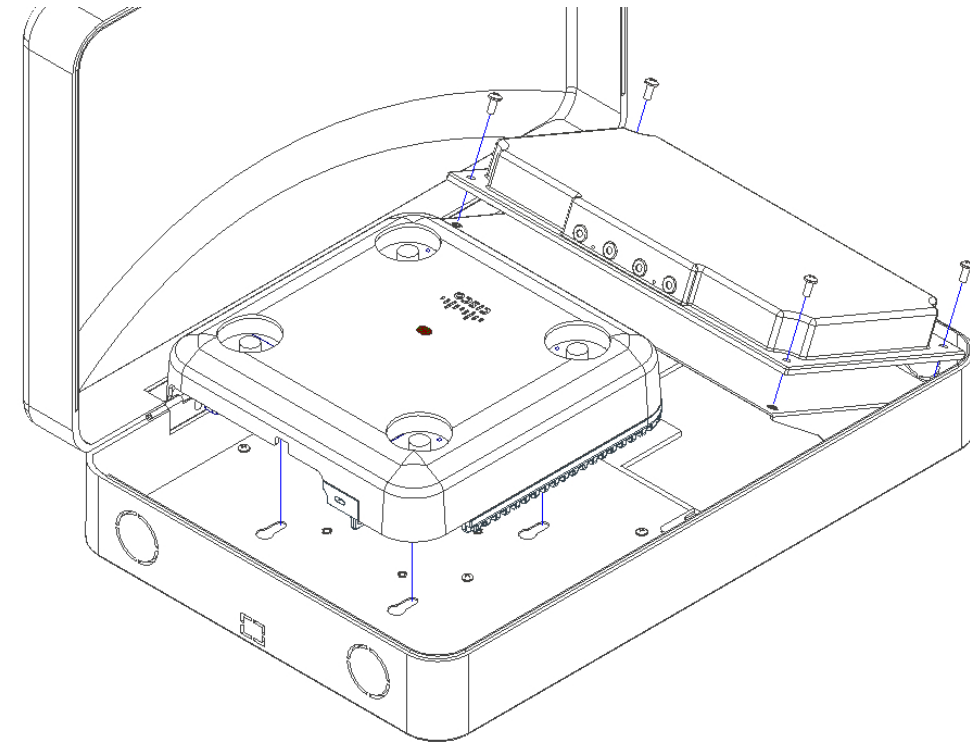


Figure 3 - Cisco AP and Antenna Installation

Step 5 – Route and connect any cabling as needed, then close and lock the enclosure door. Installation is complete.