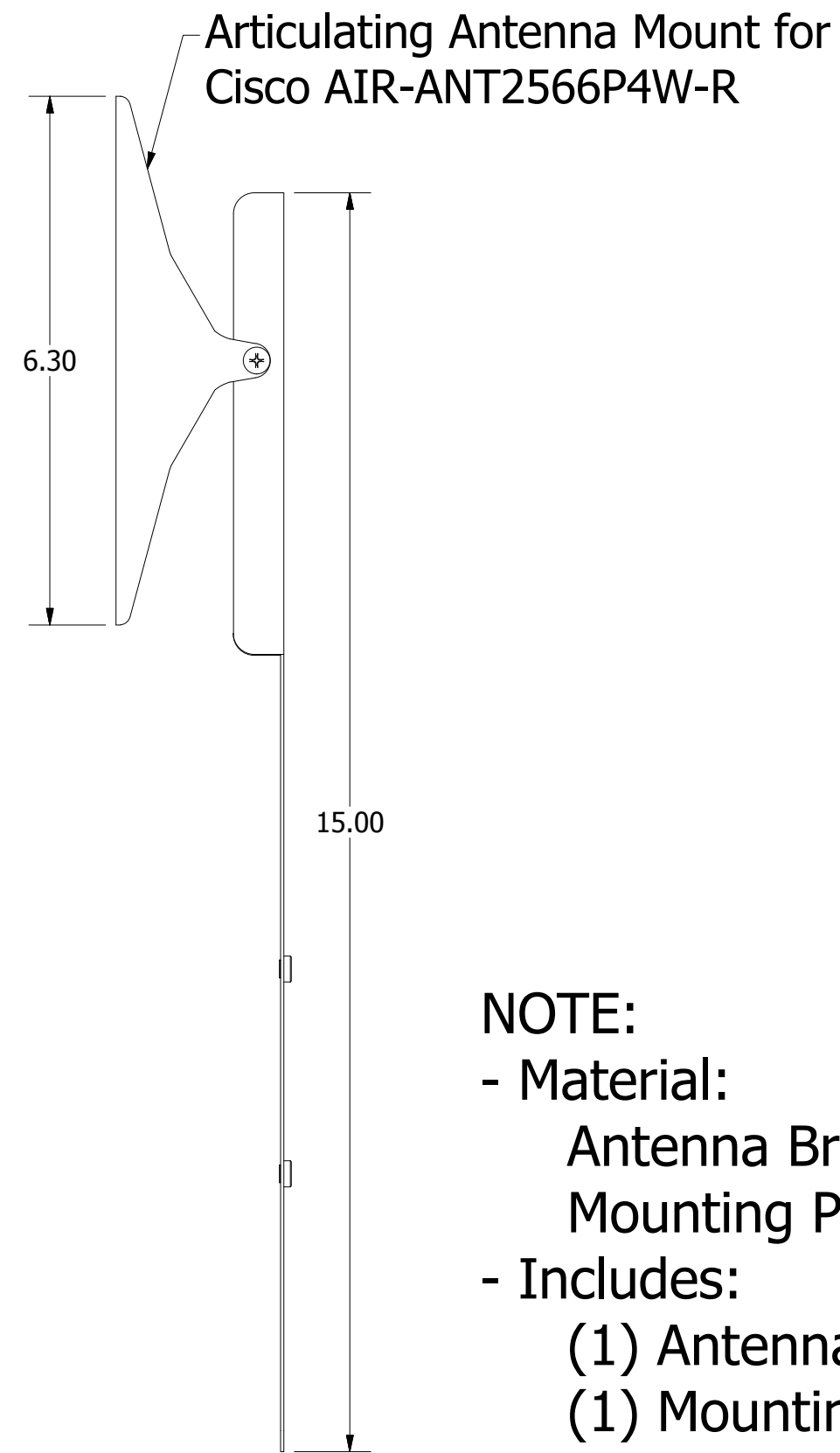
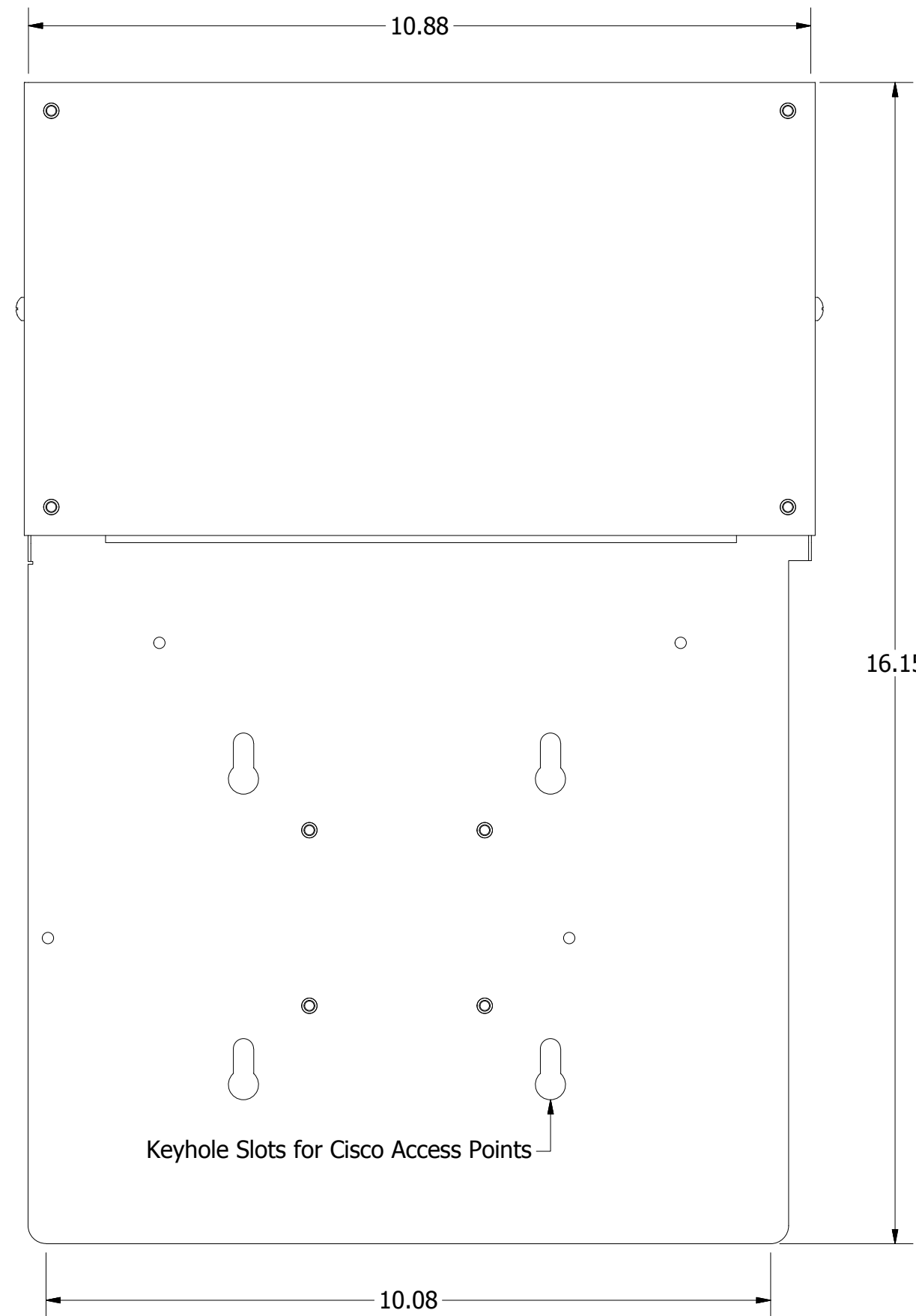
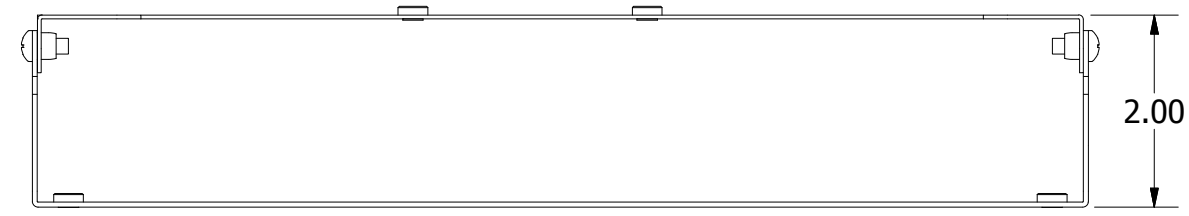


REVISION HISTORY				
ZONE	REV	DESCRIPTION	DATE	APPROVED
All	1	Released	10/11/2016	EAS



NOTE:

- Material:
 - Antenna Bracket: 18 Ga. Galvanized Steel
 - Mounting Plate: 20 Ga. Galvanized Steel
- Includes:
 - (1) Antenna Bracket
 - (1) Mounting Plate
 - (6) #8-32 x 3/8 Screws
 - (4) #8-32 x 1/4 Screws
 - (4) #6 Tapping Screws

DRAWN EAS	10/11/2016	Oberon, Inc. - 1315 S. Allen St. - State College, PA 16801		
CHECKED EAS	10/11/2016	TITLE		
QA				
MFG EAS	10/11/2016	Model 39-1016-ANTPLATE Customer Print		
APPROVED EAS	10/11/2016	SIZE C	DWG NO 2862	REV 1
TOLERANCE:	.0 = +/- .030 .00 = +/- .015 .000 = +/- .005	SCALE	SHEET 1 OF 1	