

Instructions for Ceiling Tile Router Template

39-ROUTER-TEMPLATE

Included Components:

- Router Template – 1 each

Customer Supplied:

- Ceiling Tile
- Spacers (1 1/2" minimum height)
- Router, such as a RotoZip or Dremel, with small diameter bit suitable for cutting ceiling tiles

Step 1 - Adjust the router bit so that the shank of the bit extends approximately 1/8" to 3/8" beyond the router base so that the smooth shank contacts the router template and the cutting edge of the bit will not cut the template. (Ref. Figure 1)

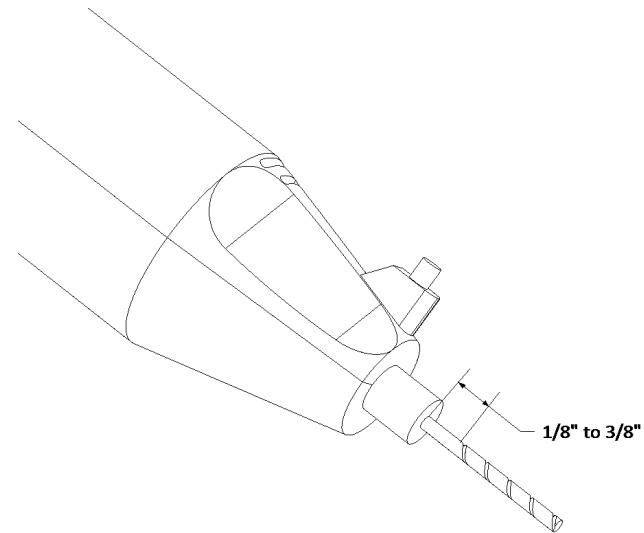


Figure 1

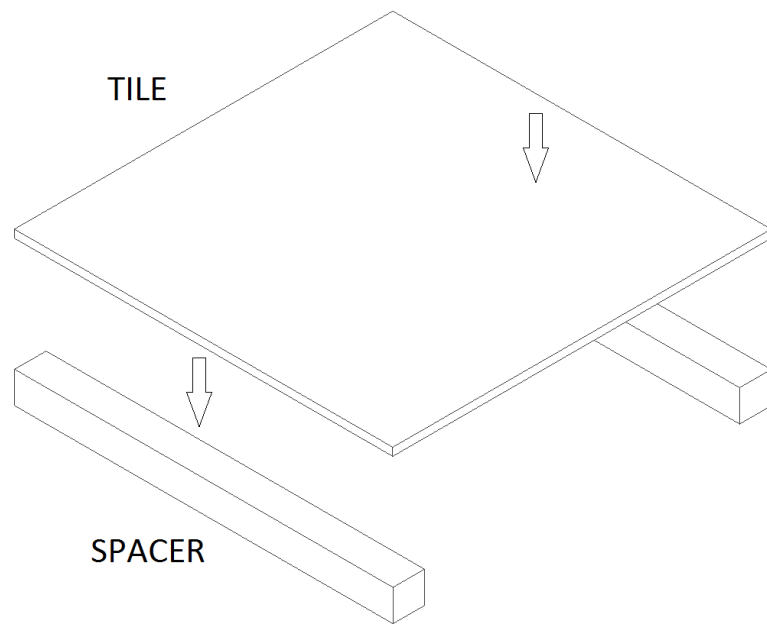


Figure 2

Step 2 - Place two spacers on a work bench to support the tile. Verify that the spacers are high enough to provide sufficient clearance for the router bit and are spaces far enough apart to provide clearance for the opening that is to be cut in the tile. Place the ceiling tile on the spacers.

Step 3 - Place the Oberon Router Template on top of the tile that is to be cut. The raised portion that contains the cutout form should be facing up and there should be approximately a 1/4" gap between the top surface of the template and the top surface of the tile. Slide the three elongated outer edges of the template against the ceiling tile to center the cut. (Ref. Figure 3)

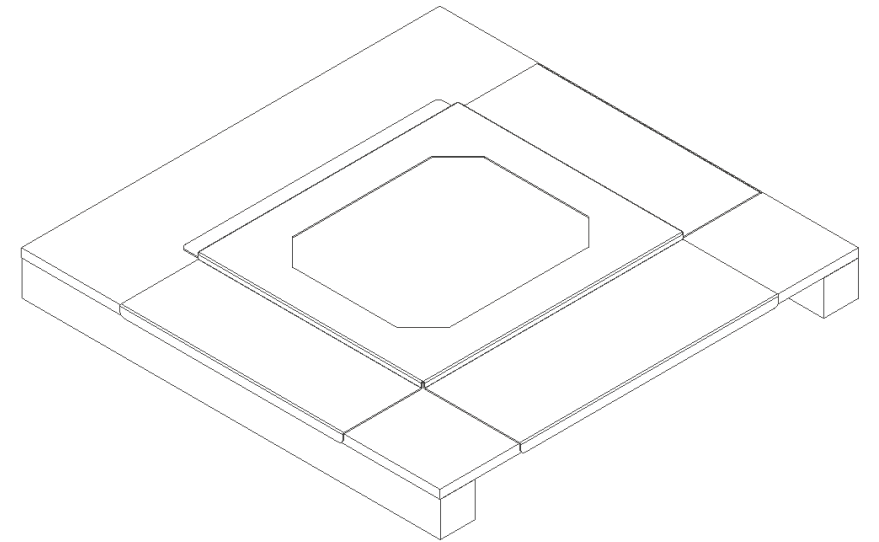


Figure 3

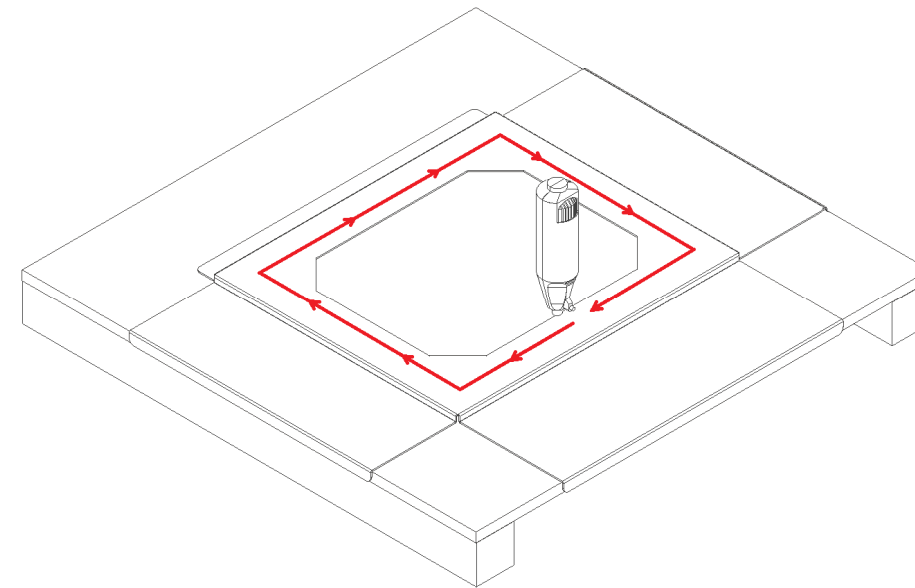


Figure 4

Step 4 - Place one hand on the edge of the template over one of the spacers, and press firmly against the tile to prevent slippage during the cutting operation. Use the other hand to route the opening starting slightly inside the template opening, so that the bit will not cut the template. Move the router so the shank of the router bit is pressed lightly against the inside edge of the template and move the router around the entire inner circumference of the template's opening (Ref. figure 4).

Step 5 - Remove the template from the tile and the waste piece from center (if it didn't fall out during the cutting operation). Clean any rough edges. The tile is now ready for installation (Ref. figure 5).

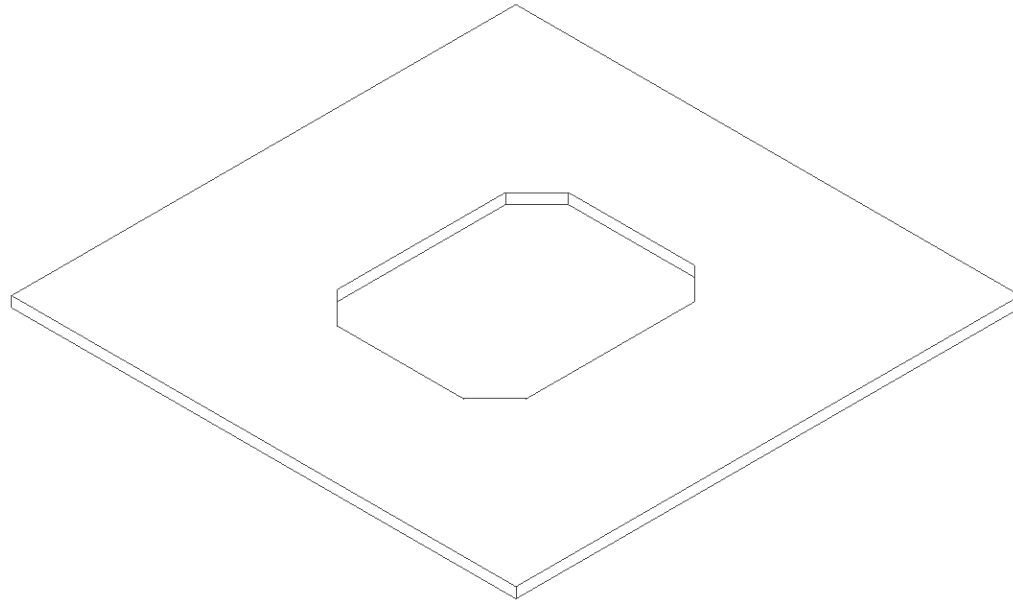


Figure 5



INSTRUCTIONS FOR CEILING TILE ROUTING TEMPLATE

**** WARNING ****

Please thoroughly read the product warning below before installation to provide for a safe work environment.

1. Always consider the hazard to other people:
 - a. Follow all safety instructions for any power tools used
 - b. Wear proper safety equipment including safety glasses