



MODEL 39-1016-SPKRMNT
Installation Instructions

****** WARNING ******

Please thoroughly read the product warning below before installation to provide for a safe work environment.

1. Always consider the hazard to other people:
 - a. During installation, use warning signs, etc.
 - b. Don't work with people directly below the work area as equipment could fall and cause an injury
2. Be sure to securely fasten the enclosure to the wall or ceiling to prevent the enclosure from becoming dislodged.

Installation Instructions

Model 39-1016-SPKRMNT

Assembly Components:

- Speaker Mount Bracket – 2 each
- Clamping U-Bolt – 2 each
- #8-32 x 1/2 Screws – 4 each

If any of these items are missing, contact your Oberon representative.

Step 1 – Fasten one Speaker Mount Bracket Antenna to the speaker stand using one of the Clamping U-Bolts (Figure 1).

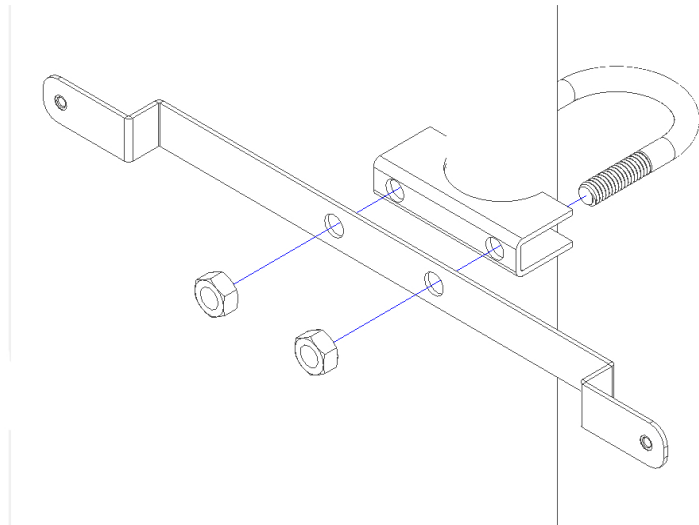


Figure 1 - Speaker Mount Bracket Install

Step 2 – Partially thread two of the #8-32 x 1/2 screws to the Speaker Mount Bracket and hang the Oberon Model 1016 series enclosure. Fasten the screws (Figure 2).

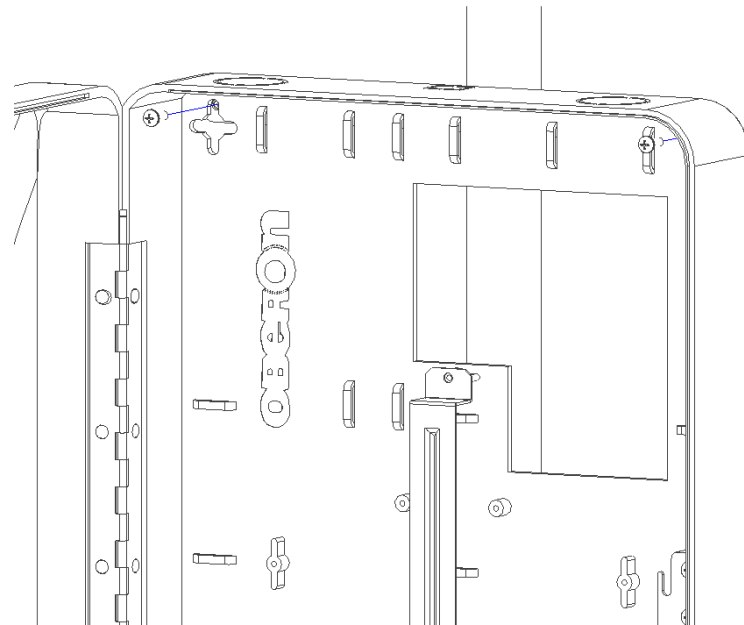


Figure 2 - Hang Model 1016 Enclosure

Step 3 – Align the second Speaker Mount Bracket with the bottom two hanger slots and fasten to the speaker stand using the provided Clamping U-Bolt (Figure 3).

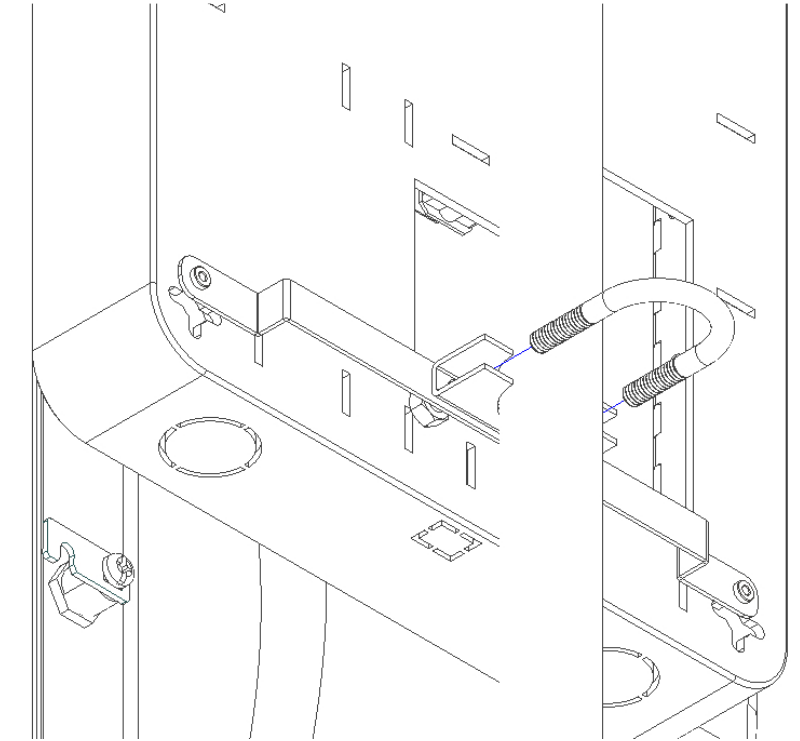


Figure 3 - Bottom Speaker Mount Bracket Install

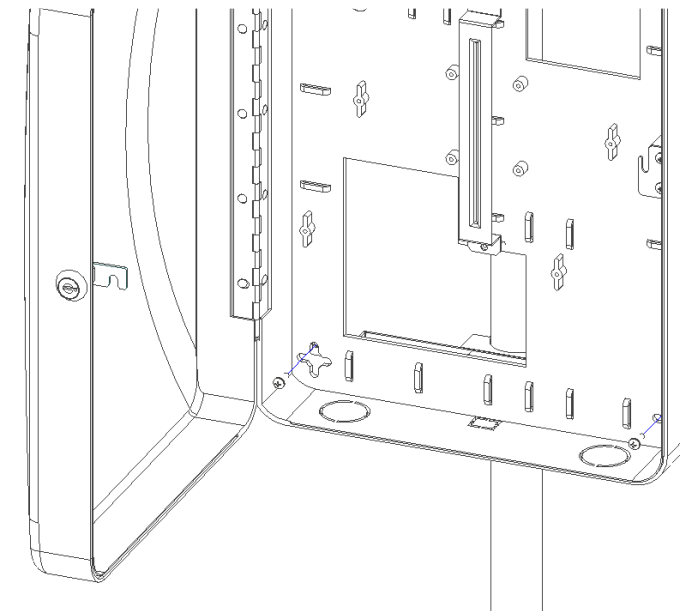


Figure 3 - Bottom Speaker Mount Bracket Install

Step 4 – Fasten the last two #8-32 x 1/2 screws into the Speaker Mount Bracket and then complete the assembly following the provided Oberon Model 1016 Installation Instructions and the manufacturer's instructions.