



## **MODEL 39-1008-SPKRMNT**

**Installation Instructions**

### **\*\*\*\* WARNING \*\*\*\***

**Please thoroughly read the product warning below before installation to provide for a safe work environment.**

1. Always consider the hazard to other people:
  - a. During installation, use warning signs, etc.
  - b. Don't work with people directly below the work area as equipment could fall and cause an injury
2. Be sure to securely fasten the enclosure to the wall or ceiling to prevent the enclosure from becoming dislodged.

# Installation Instructions

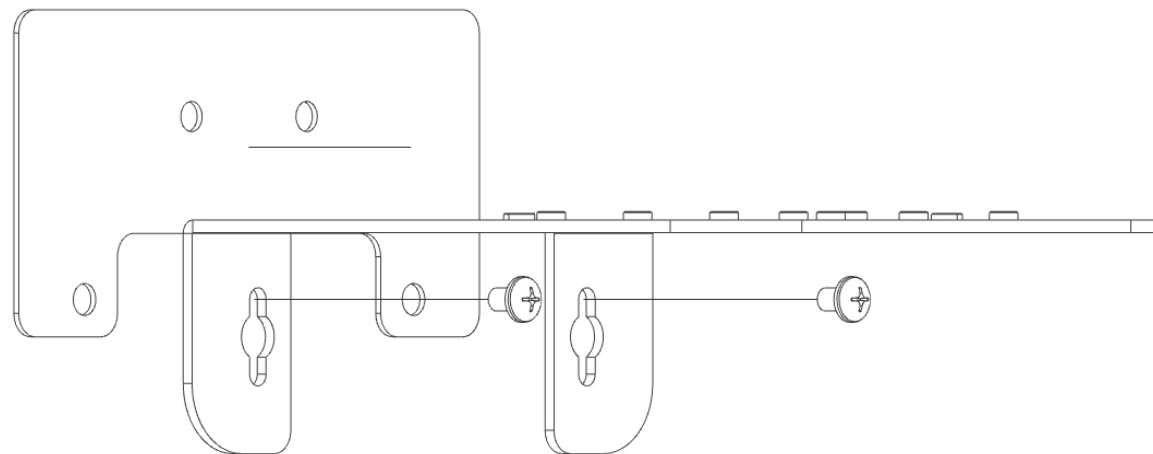
## Model 39-1008-SPKRMNT

### Assembly Components:

- *Speaker Mount Bracket* – 1 each
- *Clamping U-Bolt* – 1 each
- *#1/4-20 x 3/8 Screws* – 2 each

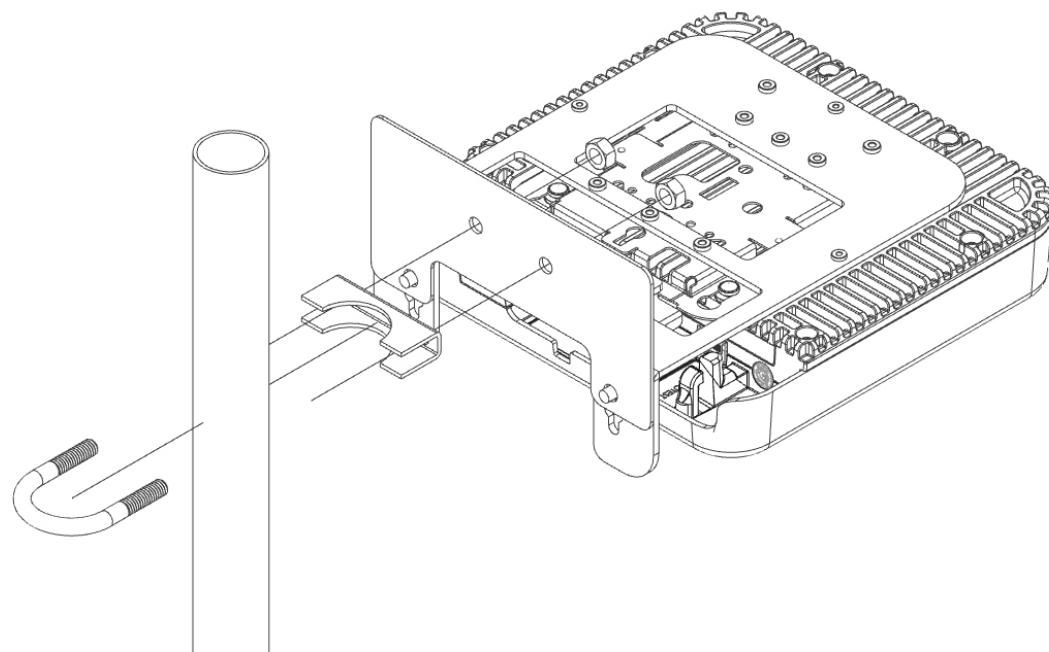
If any of these items are missing, contact your Oberon representative.

Step 1 – Attach speaker mount bracket to the Model 1008/1009 using the #1/4-20 screws (Figure 1).



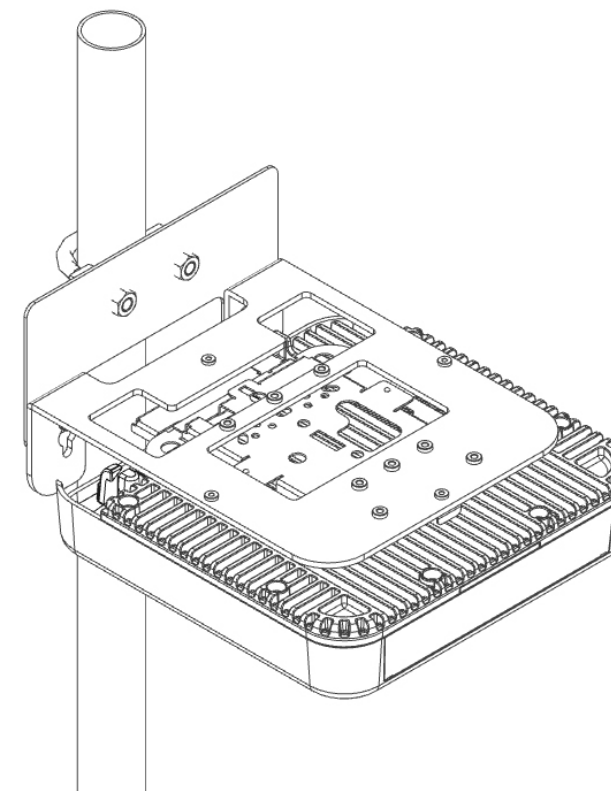
**Figure 1 - Speaker Mount Bracket Install**

Step 2 – Align the U-bolt to the two holes in the speaker mount and clamp on to the speaker stand (Figure 2).



**Figure 2 - Attach to Speaker Stand**

Step 3 – The installation is now complete (Figure 3).



**Figure 3 - Completed Installation**