

Installation Instructions

Model Number 1047-HLA

Assembly Components:

- Ceiling enclosure Model 1047-HLA assembly – 1 each
- #8-32 x 1/4" screws - 4 each
- Keys for access door lock – 2 each
- 1" Trade Size conduit connector – 1 each
- Support wire – 4 each
- Firestop Grommet – 1 each
- Installation Instructions – 1 each

If any of these items are missing, contact your Oberon representative.

Find a flat work surface to assemble the *ceiling enclosure*, *access point* and *antenna(s)* prior to mounting in ceiling.

For ease of access point installation, and to prevent damage to the door hinge, it is recommended that you remove the door from the backbox. To remove, open the door to a 90° angle, align the tabs of the door mount to the slots in the backbox hinge opening and slide the door forward (Ref. Figure 1).

Step 1 – Place the *ceiling enclosure backbox* on the work surface. Determine which knockout is to be used to bring in the Data cable and remove the knockout. Install the conduit fitting from the inside of the enclosure. Insert the conduit fitting through the hole with the nut installed from the outside of the enclosure (Ref. Figure 2).

NOTE: A surface mount box (or biscuit jack) and equipment cord can be conveniently mounted inside the enclosure. (Non-plenum rated cables can be used inside a plenum rated enclosure). Use an adhesive backed surface mount box. Consider bend radius of data cable and equipment cord when attaching the surface mount box (Ref. Figure 3).

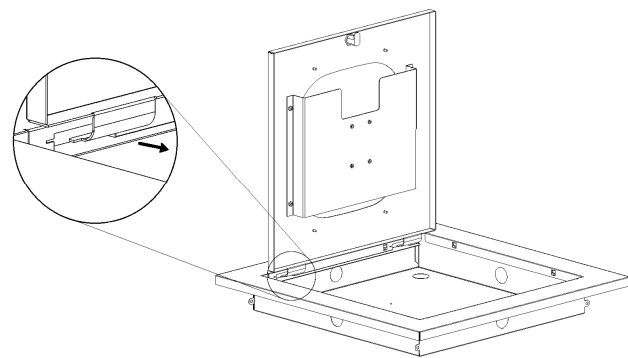


Figure 1

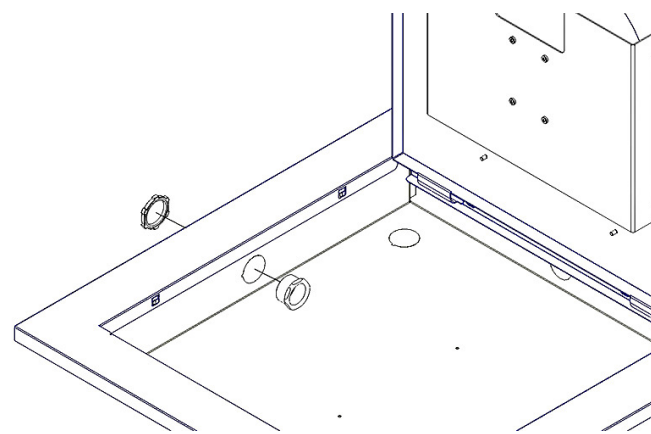


Figure 2

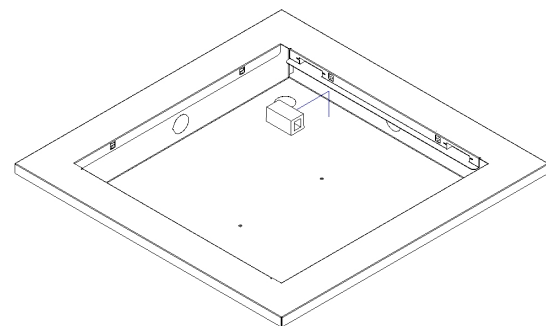


Figure 3

Step 2 – Remove the ceiling tile and replace it with the *access point enclosure backbox*.

Step 3 – Use minimum 12-gauge support wire (included) to support the backbox independently of the ceiling grid. Attach one end of the wire to the support wire tabs located along the edge of the back box and the other end to a permanent supporting structure within the ceiling such as a ceiling joist (Ref. Figure 4).

⚠IMPORTANT**** - This is an important safety feature that could prevent human injury or damage to the access point, should the unit become dislodged from the ceiling grid.

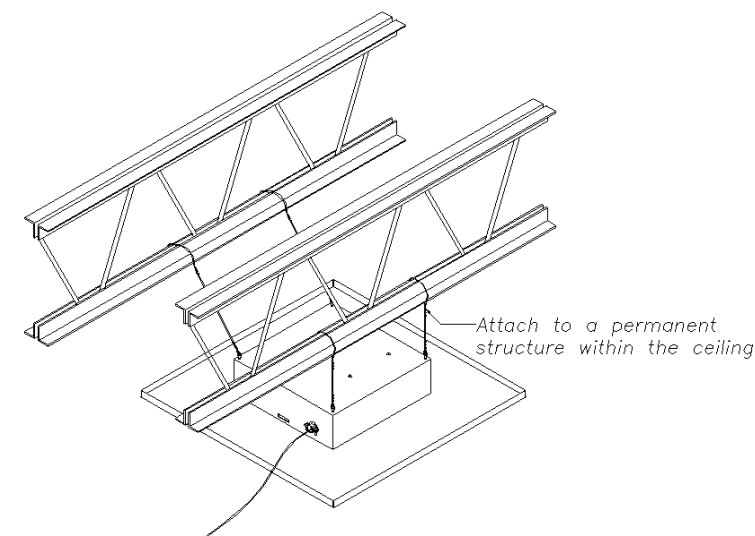


Figure 4

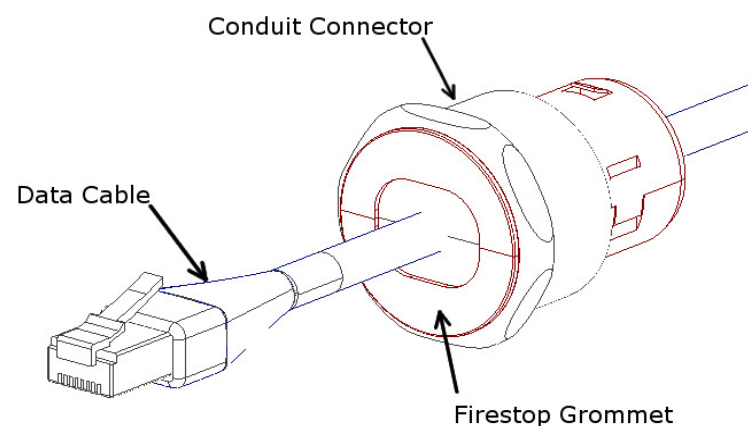
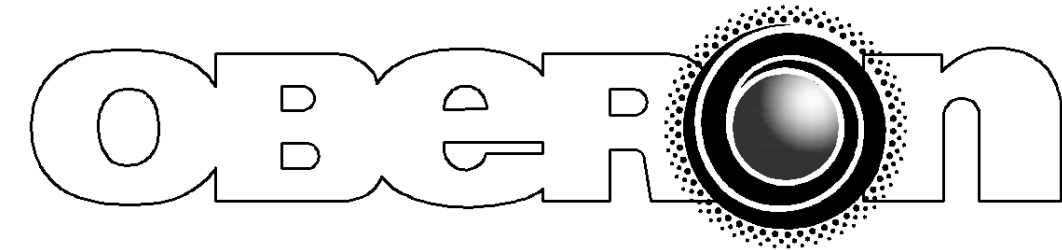


Figure 5

Step 4 - Run the data cable through the conduit connectors located on sides of the *enclosure backbox*. Pull the data cable through the conduit connector far enough to allow attachment to the access point (8" - 10"). Snap the firestop grommet on to the cable and slide it inside the conduit connector (Ref. Figure 5).

Step 5 – To install the Cisco AP, place the enclosure's door on a flat work surface. Remove the aluminum mounting plate from the door by removing the four (4) nuts that attach the mounting plate. Retain the nuts (Ref. Figure 6).



MODEL 1047-HLA

Installation Instructions

**** WARNING ****

Please thoroughly read the product warning below before installation to provide for a safe work environment.

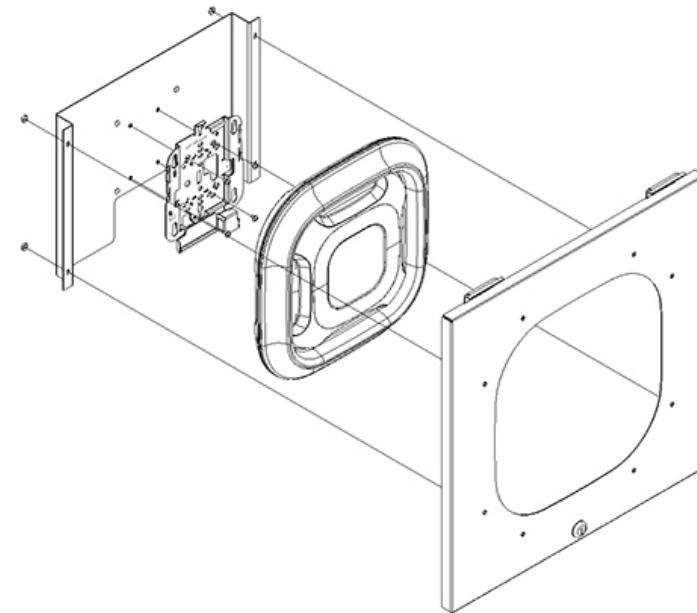


Figure 6

Step 6 – Once the mounting plate has been removed, attach the Cisco AIR-BRACKET-2 to the Oberon mounting plate using four #8-32 screws (provided). The Cisco Mounting bracket should be aligned so that the Data cable will face towards the cutout in the enclosure's mounting plate.

Step 7 – Once the Cisco mounting bracket has been installed, attach the data cable to the Cisco AP. Attach the Cisco AP by sliding the Cisco AP onto the Cisco mounting bracket until it locks in place.

Step 8 – Place the slotted holes in the mounting plate over the studs located on the bottom side of the door and secure it in place by installing four (4) #8-32 hex nuts. When attaching the Cisco AP, be aware that all of the HLA modules in the building should be pointing in the same direction (reference Cisco documentation for details). To aid in installation, the enclosure's mounting plate can be rotated in any of four (4) different directions (Ref. Figure 6).

Step 9 – Reattach the door to the backbox in the ceiling.

Step 10 – Plug the data cable into the surface mount box. If a surface mount box was not used, attach the data cable directly to the Cisco AP through the access door and tighten the screws on the cable clamp. Close and lock the access door. The installation is now completed.

1. The Cabinet System Communications are intended to be installed in accordance with the applicable requirements of the NFPA 70, "National Electrical Code" (NEC), and/or the applicable sections of ANSI C2, "National Electrical Safety Code" (NESC). The Authority Having Jurisdiction will be responsible over the final installation to determine if the final configuration meets the necessary criteria for the installation and use.
2. The Cabinet System Communication is configured in the field by qualified service personnel.
3. Ambient Temperature - A manufacturer's maximum specified operating ambient of 55°C; so that the installer is able to determine acceptability of use of Accessories and components in the operating state.
4. A readily accessible disconnect device shall be incorporated in the building installation wiring.
5. The instructions may include the product Load Ratings or those ratings shall be placed on the product. Maximum weight to be installed in the unit is 25 lbs
6. Only Listed ITE products shall be installed within the enclosure.
7. This product is to be repaired by personnel trained by the manufacturer or returned to the manufacturer for repair or replacement.
8. All knockouts, openings, and holes shall be sealed with a plug constructed of metal, or a non-metal material that complies with UL 2043 or UL 1479.
9. All unused mounting holes should be sealed with tape or other material that complies with UL 1479.
10. AC power is NOT to be used inside the enclosure
11. See OSHPD approved installation drawings where applicable.
12. When opening the enclosure door, be sure to support the door to prevent the door from accidentally falling open.