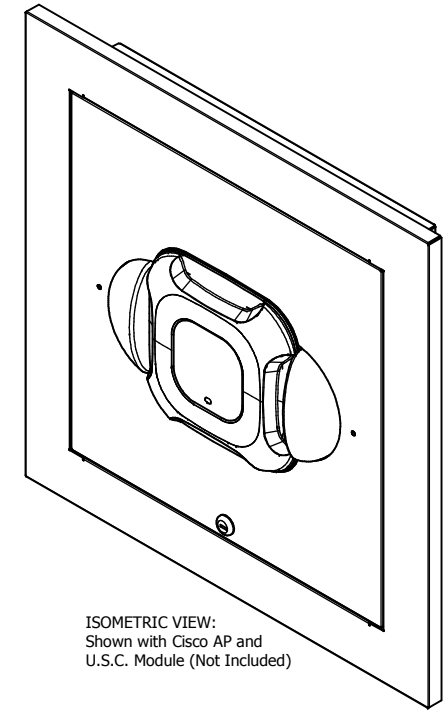
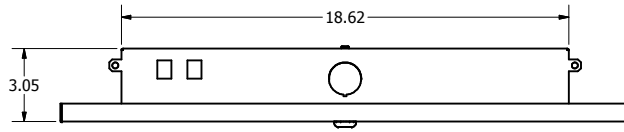
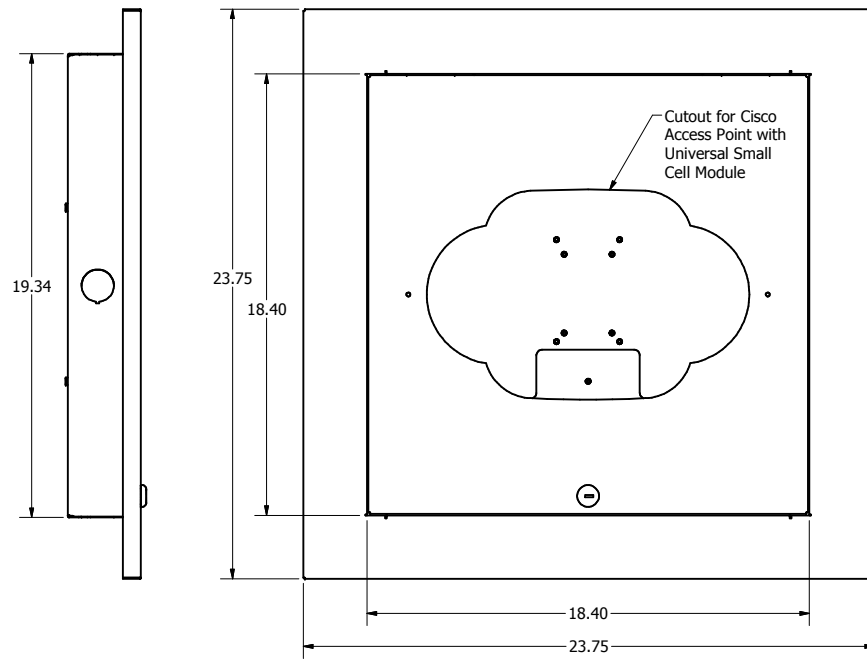


REVISION HISTORY				
ZONE	REV	DESCRIPTION	DATE	APPROVED
All	1	Released	4/21/2017	RLC



ISOMETRIC VIEW:
Shown with Cisco AP and
U.S.C. Module (Not Included)



NOTES:

- Material:
- Flange: .048 Painted Steel
 - Backbox: .036 Galvanized Steel
 - Door: .048 Painted Steel
 - Mounting Bracket: .060 Aluminum
- Includes:
- (4) #8-32 Screws
 - (1) 1" Trade Size Conduit Fitting
 - (1) Firestop Grommet
 - (2) Keys

NOTE: All materials used in the construction of Oberon products must be RoHS compliant and meet RoHS2 Directive 2011/65/EU. Contact Oberon engineering if RoHS compliant materials are not available.

DRAWN	rick	4/21/2017	Oberon, Inc. - 1315 S. Allen St. - State College, PA 16801	
CHECKED	RLC	4/21/2017	TITLE	
QA	QA		Model 1047-CCOAP-USCM	
MFG	RLC	4/21/2017	SIZE	DWG NO
APPROVED	RLC	4/21/2017	C	1047-CCOAP-USCM
TOLERANCE:	.0 = +/- .030		SCALE	REV
	.00 = +/- .015			1
	.000 = +/- .005			SHEET 1 OF 1