

# Installation Instructions

Model Number 1028-00

## Assembly Components:

- Ceiling enclosure Model 1028-00 assembly – 1 each
- #8 - 32 screw – 4 each
- Decorative screw covers – 4 each
- Keys for access door lock – 2 each

If any of these items are missing, contact your Oberon representative.

Find a flat work surface to assemble the ceiling enclosure, access point and antenna(s) prior to mounting in ceiling.

Step 1 – Remove the metal hole cover(s) and install clamp connector(s). Use two clamp connectors if both power and data lines are to be installed. If only a data line is required (when using power over Ethernet), only one clamp connector will be required (Reference Figure 1).

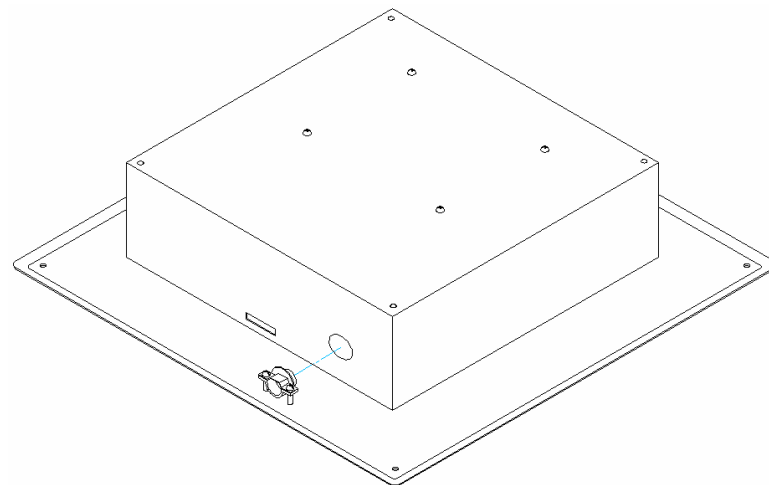


Figure 1 - Cable clamp installation.

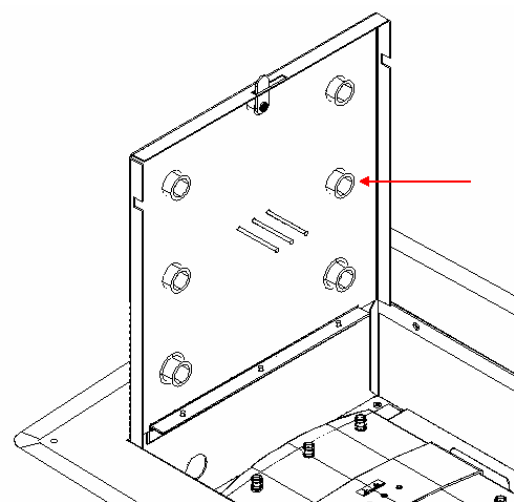


Figure 2 - Installation of Antennas.

Step 2 – Remove the plastic hole covers in the door by depressing the tabs on the inside of the covers (ref Figure 2). The antennas should be installed by placing the cable through the antenna openings in the enclosure cover from the outside of the box. After the cables have been pulled through the door, connect the antennas to the access point.

**\*\*NOTE:** The enclosure has a locking mounting plate that will accommodate the Cisco 1250 AP. The Cisco supplied mounting plate is not used in the installation to the Oberon 1053-06 enclosure. Also, the latching mechanism on the bottom of the Cisco 1250 AP should be removed prior to installation of the access point in the 1053-05 enclosure. The Cisco latch can be removed by unscrewing the two screws that hold it in place. For other Cisco Access Points, remove the mounting plate assembly by removing the (4) nuts. The access point can then be attached directly to the back box.

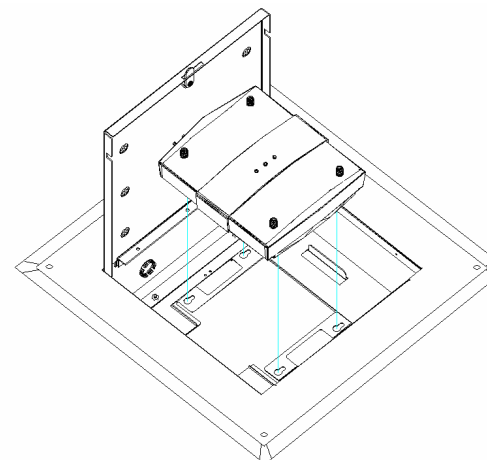


Figure 3 - AP Installation

Step 4 – After the AP is set in the enclosure, lock it in place by sliding the enclosure's locking plate toward the AP until you feel it "click" (the locking plate will slide approximately 1/2"). Pull up on the AP to verify that it is properly latched. If you feel the AP lift from the enclosure, open the locking plate and adjust the AP so that all four feet fall into the key slots, then slide the locking plate back into position (reference Figure 4).

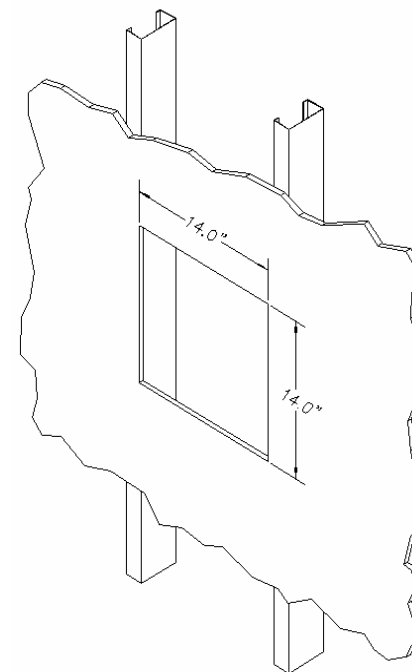


Figure 5 - Prepare wall or ceiling by cutting 14" X 14" opening.

Step 3 – Feed the Ethernet cable through the cable clamp and attach to the AP. Next, verify that the enclosure's locking plate is slid so that it is toward the outer wall of the enclosure. The AP should be aligned so that the three LEDs on the center panel are closest to the lock and the "Cisco Logo" is closest to the door hinge. Install the Cisco 1250 AP in the enclosure by aligning the feet of the access point with the key slots on the enclosure's mounting plate. Lower the AP onto the enclosure's mounting plate until you feel the AP's feet fall into the key slots (reference Figure 3).

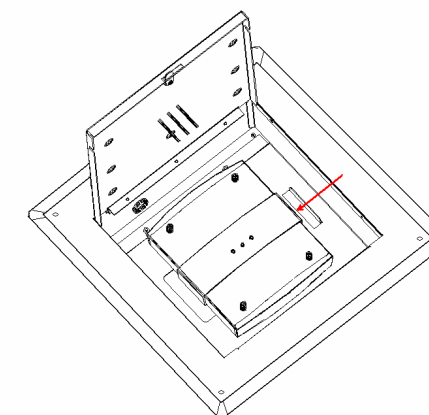


Figure 4 - Lock AP in Place

The assembled unit is now ready for wall or ceiling installation.

Step 5 – To prepare the wall/ceiling for installation, cut a 14" X 14" square hole in the gypsum board (Reference Figure 3). The hole should be located centrally between two adjacent studs/joists. There must be a minimum of 4" of free space available behind the wall to allow for clearance of the enclosure.

Note: Take proper safety precautions as many wall/ceiling areas may have electrical or plumbing located behind them.

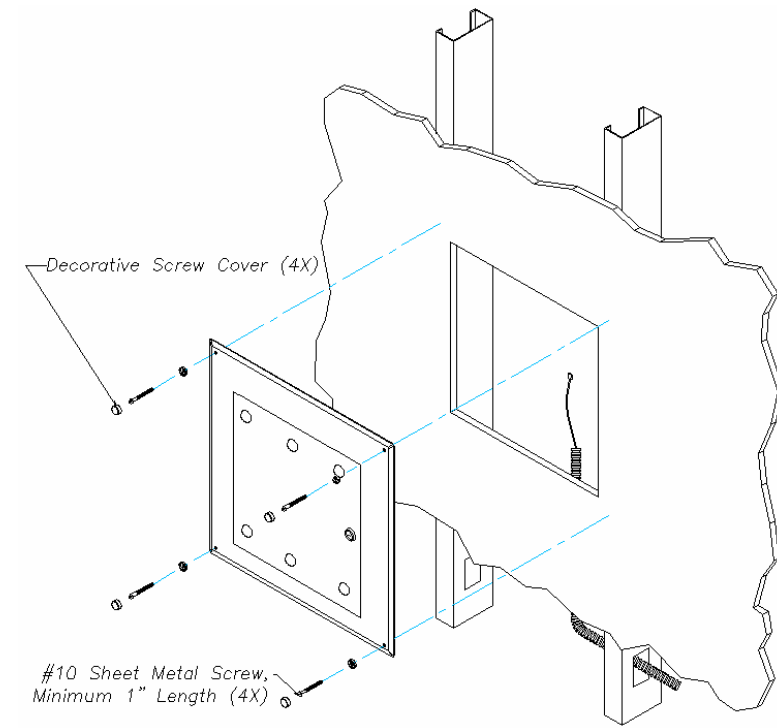


Figure 6 - Wall installation.

**WALL MOUNTING:**

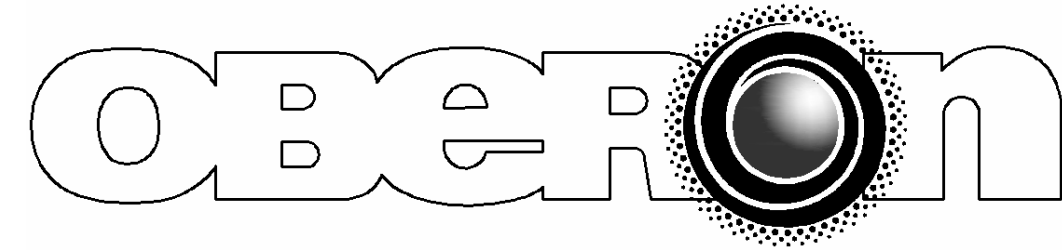
Step 6 – To install the enclosure in the wall, bring the data and, if required power lines into the enclosure through the cable clamps.

Position the enclosure so that the mounting holes are centrally located with the studs (Reference Figure 4).

For metal studs, use #10 sheet metal screws (or, for wood studs, use #10 wood screws). The screws should be a minimum of 1" in length.

Securely tighten the screws, being sure that the screw is inserted directly into the stud\*.

\*NOTE: Alternatively, if no studs are available for mounting, drywall anchors may be used.



**MODEL 1028-00**

**Installation Instructions**

**\*\*\*\* WARNING \*\*\*\***

**Please thoroughly read the product warning below before installation to provide for a safe work environment.**

**CEILING MOUNTING:**

Step 6 – To install the enclosure in the ceiling, bring the data and, if required power lines into the enclosure through the cable clamps.

Position the enclosure so that the mounting holes are centrally located with the joists (Reference Figure 5).

For metal joists, use #10 sheet metal screws (or, for wood joists, use #10 wood screws). The screws should be a minimum of 2" in length.

Securely tighten the screws, being sure that the screw is inserted directly into the joist\*.

\*NOTE: Alternatively, if no joists are available for mounting, drywall anchors may be used.

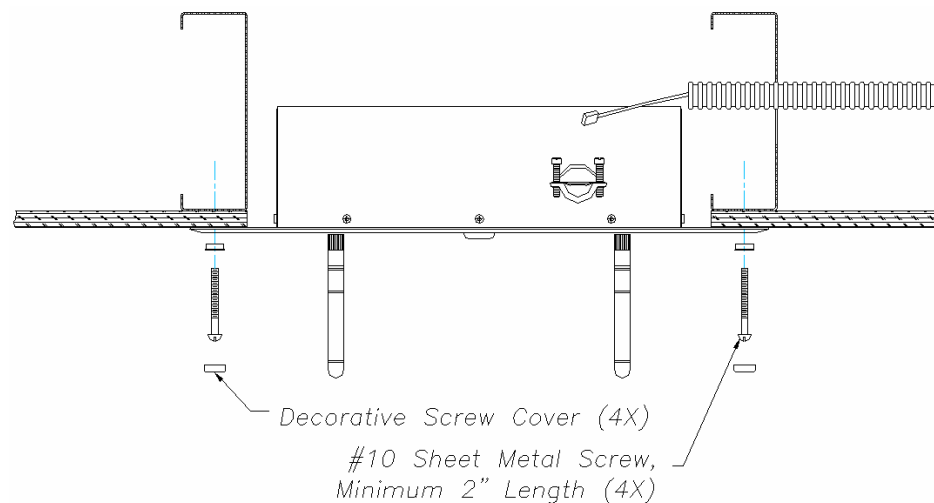


Figure 3 - Ceiling installation.

1. When closing the enclosure access door, be sure that the cam lock is completely engaged to prevent the access door from accidentally swinging open.
2. When opening the enclosure door, be sure to support the door to prevent the door from accidentally falling open.