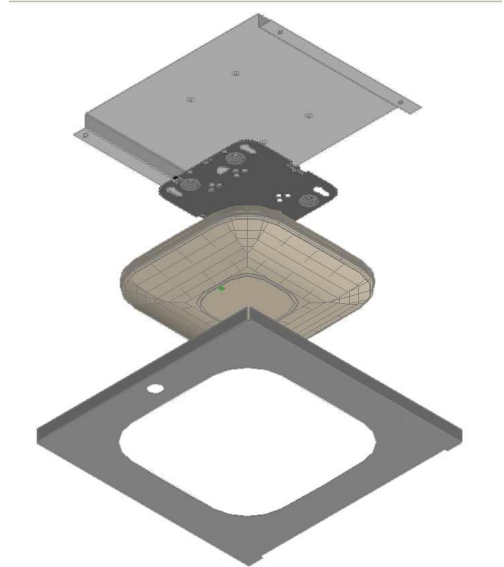


Oberon's model 1052-00 wireless LAN access point enclosure is a locking 2' x 2' ceiling tile enclosure originally designed for the Cisco 1242, Cisco 1232, and Aruba Networks AP-70 access points. With many Cisco customers making the migration from the Cisco 1242 to the Cisco 1140/1260/3500ie/3500i series 802.11n wireless access point, Oberon has designed the 38-1052-ADPDOOR-1140 adaptor door so that customers may install the new access point in the existing enclosure, without removing the enclosure from the ceiling. The upgrade simply requires that the existing 1052-00 door is removed (three interior nuts), the new access point is attached to the adaptor door, and the adaptor door is attached to the enclosure. The upgrade maintains the enclosure's UL 50 design criteria, and provides the same level of physical security as previously provided. Upgrades are performed without accessing the air handling space above the ceiling.



1) Model 1052-00 shown with 38-1052-ADPDOOR-1140 adapter door and Cisco 1142 AP (not included) 2) Exploded view of the adaptor door, access point, access point mounting bracket, and assembly mount bracket

Specifications:

- Adaptor door designed to mount the Cisco 1140/1260/3500ie/3500i series 802.11n wireless access point into existing Oberon Model 1052-00 ceiling tile enclosures
- With adaptor door properly installed, the assembly is UL listed and designed to meet NEC300-22 and 300-23 for plenum installations
- Construction: textured white powder coated steel
- Fully hinged locking door, keyed alike
- Adaptor door is attached to enclosure with three nuts

38-1052-ADPDOOR-1140 Includes

- Adaptor door
- Assembly mount bracket